

MODEL 202D

FEATURES

- 4-20mA Output
- Pulse Output
- High & Low Alarms
- Fully Programmable
- Displays Rate, Total and Accumulated Total
- Battery, Loop or DC powered
- Wall, Pipe, Panel or Flowmeter mounting
- Watertight to IP67 (Nema 4X)
- ATEX, IECEx, CSA Approved
- CE Compliant

Rate Totaliser



The 202D Field Mounting Rate Totaliser requires no external power and is designed to operate with turbine, positive displacement and paddlewheel flowmeters in applications such as irrigation systems and pipeline measurement, and as a replacement for mechanical registers.



Field Mounting Rate Totaliser

PROVEN IN THOUSANDS OF FIELD INSTALLATIONS
THROUGHOUT THE WORLD.

The 202D is a high accuracy, intrinsically safe Rate Totaliser designed to operate with digital output flowmeters. Having an IP67 weatherproof case, new tactile keyboard and various mounting options, the 202D is perfect for the most arduous of installations.



Battery, Loop or DC Powered

The standard 202D is powered by long-life lithium batteries. Alternatively, the 202D can be loop powered via an optional 4-20mA output, or powered from a 9-28 Volts DC supply.

The intrinsic safety approvals cover both the 4-20mA output and relay outputs, in addition to the input circuits.

Watertight Field Mounting Enclosure

The 202D Rate Totaliser is housed in a rugged yet attractive IP67 (Nema 4X) rated polycarbonate enclosure which is completely watertight.

This enables the instrument to be mounted directly on the flowmeter, panel mounted or wall mounted using a special universal bracket. A 51mm (2") pipe mounting bracket is also available.

Fully User Programmable

K-factor, decimal point positions, filter constants and time base are fully user programmable.

Rate and Totals can also be displayed in any engineering units such as litres per minute and barrels.

Contrec's unique magnet access strip allows the 202D to be re-configured in hazardous areas without opening the enclosure. A great benefit in reducing production shutdown periods and improving maintenance efficiency times.

Frequency to Current Conversion

The 202D loop powered Rate Totaliser makes an excellent Frequency to Current Converter, particularly for low frequency inputs from positive displacement or turbine flowmeters.

Because the 202D calculates the flow rate by measuring the time interval between input pulses, it is able to provide

a very stable and accurate 4-20mA output for low frequency inputs.

Non-linearity Correction

The 202D features 10 point non-linear correction as standard.

Separate K-factors and frequency points can be programmed to compensate for changes in K-factor with flowrates.

Non linearity correction is recommended for applications where precise measurements are required and flowmeter calibration certificates are available.

Note that this option increases the display update rate to 1 second in battery powered versions.

Intrinsic Safety

The 202D is certified as intrinsically safe to European ATEX/IECEX standards, and CSA US/C standards for both the USA and Canada, see specification for details.



VERSIONS AVAILABLE

Battery Powered

The battery version of the 202D is designed for operation where external power sources are not available. It derives its power from two lithium battery packs which provide sufficient power for up to 5 years.

Low battery power condition is signalled to the operator by a message on the LCD and battery replacement is easily carried out in the field, even in hazardous areas.

4-20mA Output Loop Powered

The 4-20mA output version draws its operating power from the 4-20mA loop

and uses lithium batteries for back-up if the 4-20mA loop is interrupted.

The instrument provides a 2-wire re-transmission of the flow rate. Both the 4mA and 20mA points are fully programmable so that the output can span across the entire range or, alternatively, across a small section of the operating range.

DC Powered

The DC powered version will operate from an external power source between 9 and 28 Volts DC and draws no more than 4mA. This enables the 202D to be powered from AC mains adaptors and eliminates the need to run mains voltages in the field.

Lithium batteries provide back-up if the DC power is interrupted.

Solid State Relay Outputs

Both the 4-20mA output version and the DC powered version are provided with two solid state relay outputs. The solid state relays provide high and low flow rate alarms or, alternatively, a pulse output and a low flow rate alarm. The outputs can sink up to 200mA and can be used to power external relays, audible alarms or counters. The outputs are internally protected against voltage spikes caused by relays and coils.

Both outputs are separately isolated via opto isolators.

The switching points can be programmed during the set-up mode. If programmed for a pulse output, the pulse can be selected as either unscaled (raw pulse input) or scaled. The maximum pulse frequency is 500mSec with a pulse width which is automatically set as:

1mSec if output > 50Hz

10mSec if output = 5...50Hz

100mSec if output < 5Hz

SPECIFICATIONS

Display

Type: LCD display

Total: 7 digit 10mm (0.4") high LCD (continuously powered). *Note: The Reset Total is resettable from the front panel and the Accumulated Total is displayed when the ACCUM TOT key is pressed*

Rate: 4 digit 8.5mm (0.33") high LCD (continuously powered)

K-factor Range: The pulses per unit of measure (eg.pulses/gallon) is programmable in the range 0.000001 to 999,999

Decimal Points: Fully programmable for Rate and Total

Time Base: Rates can be displayed in units per second, minute, hour or day

Frequency Range: 0.01Hz to 10kHz

Signal Type: Switch settable for sine wave (15mV P-P minimum), open collector, reed switch or pulse

Interference: CE compliance

Physical

Operating Temperature: -20 to +60°C, -4 to +140°F

Enclosure

Dimensions: 98mm (3.9") high x 151mm (5.9") wide x 43mm (1.7") deep

Protection: IP67 (Nema 4X) watertight

Cable Entry: By cable glands

Materials: Polycarbonate and ABS

Mounting Options

Wall: Universal wall mounting bracket

Pipe: A galvanised metal bracket enables the 202D to be attached to a 51mm (2") vertical or horizontal pipe

Panel: Two mounting brackets are provided and terminals are accessible on the rear of the enclosure. *Note: The panel mount version is not watertight*

Turbine Meter: Bottom and rear mounting stems are available for mounting the 202D directly on turbine flowmeters which have a 1" NPT or BSP boss

Important: Specifications are subject to change without notice.

Battery Powered Version

Battery Type: 2 x Lithium battery packs

Battery Life: 5 years

Loop Powered 4-20mA Output Version

Scale: The 4mA and 20mA points are programmable

Resolution & Linearity: 0.05% of span

Accuracy: 0.05% of span at 25°C

Update Time: 0.5s

Connection: 2-wire

Voltage Across Output: 28Vdc maximum

Voltage Drop: 9V maximum

Memory Backup: Lithium battery

DC Powered / Alarm or Pulse Output Version

Outputs: 2 x solid state relay outputs suitable for driving DC solenoids or external relays. The outputs provide fully programmable high & low flow alarms or a pulse output & low alarm

Pulse Output: Scaled or unscaled pulse output, 500Hz maximum. Pulse width depends on output frequency and varies from 100mSec to 1mSec

Switching Power: 200mA, 30Vdc maximum.

Saturation Voltage: 0.8Vdc across outputs when in the "on" state

Isolation: Both outputs are separately isolated

DC Power Input: 9-28V @ 4mA maximum

Memory Backup: Lithium battery

Hazardous Area Approval

Type of Approval:

- ATEX Rating - II 2G Ex ia IIB T4 Gb
Cert No. BVS 15 ATEX E 106 X
- IECEx Rating - Ex ia IIB T4 Gb
Cert No. IECEx BVS 15.0099X
- CSA us/c Rating - Class 1, Group C & D
Cert No. 104840-5

Intrinsically Safe Parameters

Maximum Ambient: 60°C (+140°F)

Maximum Input Parameters:

(For certified IS coil or other certified IS sensors which produce a pulse output)

Uo = 10.0V	L(ext) = 1.5H	li = 20mA
Io = 9.0mA	Li = 0mH	Pi = 320mW
C(ext) = 60uF	Ui = 24V	Ci = 0.002uF

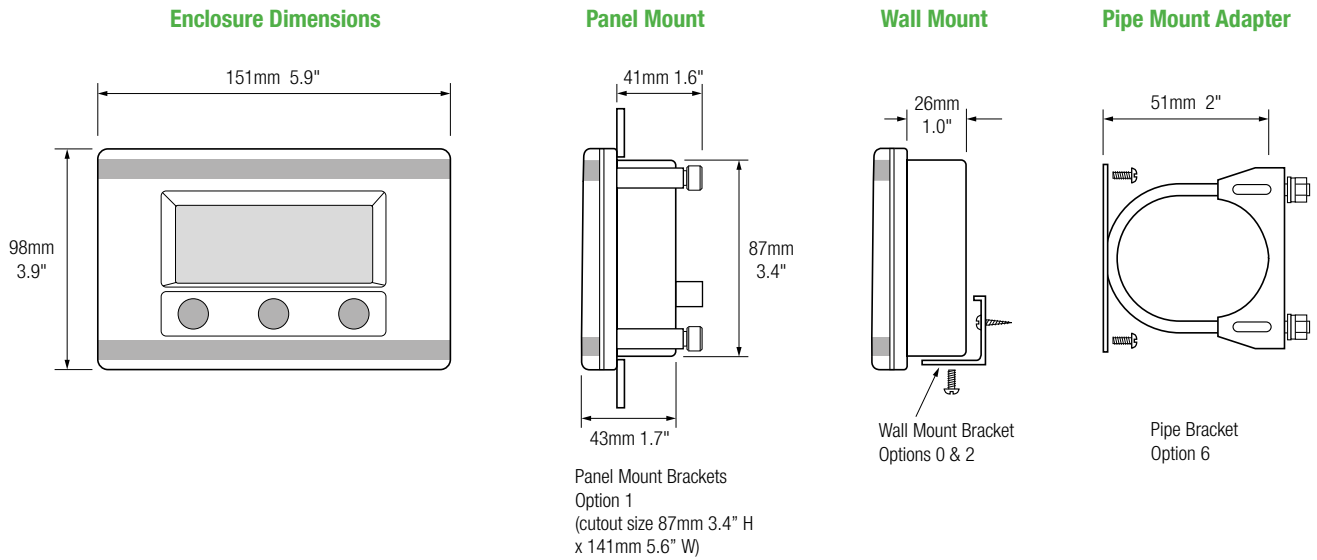
Note: Devices such as reed switches, which can be classed as "Simple Apparatus" as defined in the Cenelec standard EN50020, can be connected to the Model 202D without additional certification

Maximum Output Parameters:

4-20mA or Relays: Ui = 28V
li = 93mA
Pi = 653mW



DIMENSIONS



TERMINAL DESCRIPTIONS

Common to all Models

Number	Description
7	Signal Input (-)
8	Signal Input (+)

DC Power Versions

Number	Description
1	DC Power 0 Volts
2	DC Power +9 to 28Vdc

4-20mA Output Versions

Number	Description
1	4-20mA (-)
2	4-20mA (+)
3	Low Alarm (-)
4	Low Alarm (+)
5	High Alarm (-) or Pulse (-)
6	High Alarm (+) or Pulse (+)

PRODUCT CODES

Product Code, Mounting Types & Options

202Di	•	Rate Totaliser (intrinsically safe)
Enclosure Mounting	0	Wall Mounting (no gland holes)
	1	Panel Mounting *
	2	Wall Mounting (standard glands)
	4	Turbine Mounting (stem bottom)
	6	Pipe Mounting
	Output Options	0
3		DC Powered & Alarms (pulse out)
4		Loop Powered & 4-20mA Out & Alarms
Hazardous Approvals	C	CSA US & Canadian Approval
	M	ATEX/IECEX Approval

Typical Part Number: 202Di.40C

* Note: Cable glands not included

Instruments within the Contrec family:

100 Series – Accurate process instruments for field mounting applications

200 Series – Intrinsically safe, precise and reliable process instruments

400 Series – Rugged and dependable batch and flow control solutions

505 Series – Next generation flow instruments for a variety of applications

515 Series – Precise flow and batch control for more complex applications

LC Series – Robust load computers for petroleum and chemical applications

TRAC 40 – Vehicle mount custody transfer approved registers



Contrec Manufacturing (UK) Ltd
 Riverside, Canal Road
 Sowerby Bridge
 West Yorkshire HX6 2AY

t +44 (0)1422 829944
f +44 (0)1422 829945
e admin@contrec.co.uk
w www.contrec.co.uk

SALES & TECHNICAL SUPPORT:
+44 (0)1422 829944
www.contrec.co.uk

Contrec Manufacturing Ltd
 Manufacturing and Asia Sales:
 +44 (0)1422 829944
 admin@contrec.co.uk

Contrec Europe Ltd
 European, Middle East and Africa
 Sales: +44 (0)1422 829940
 sales@contrec.co.uk

Contrec – USA
 Americas & Canada Sales:
 +1 (0)205 685 3000
 customerservice@contrec-usa.com

Contrec Systems PTY Ltd
 Australasia Sales and South East Asia
 Support: +61 (0)413 505 114
 paul@contrec.com.au