

HYGIENISCHE PROBEHAHMEVENTILE

HYGIENIC SAMPLING VALVES

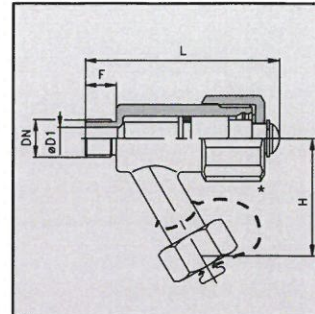
Hyg. Sampling Valves with PEEK-Piston

Hyg. Probenahmeventile mit PEEK-Kolben

P 912 N with slotted crew cap and chain / mit Blindmutter und Kette

1.4404 (AISI 316L)

| METRIC/METRISCH | | | | | | | | ID-NO.* | PRICE/PREIS |
|-----------------|-----|-----|----|----|------|-----|---------|----------|-------------|
| DN | ØD1 | ØD2 | F | H | L | kg | | | |
| G 1/4" | 8 | 10 | 14 | 58 | 87.5 | 0.4 | 0246959 | 231,00 € | |
| G 3/8" | 10 | 10 | 14 | 58 | 87.5 | 0.4 | 0246991 | 231,00 € | |
| G 1/2" | 10 | 10 | 14 | 58 | 87.5 | 0.5 | 0247270 | 231,00 € | |
| G 3/4" | 10 | 10 | 14 | 58 | 87.5 | 0.5 | 0247288 | 231,00 € | |



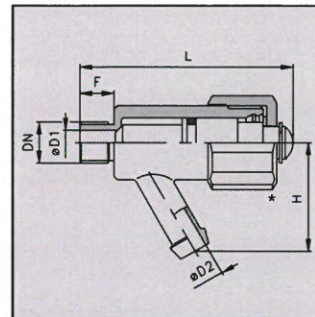
Hyg. Sampling Valves with PEEK-Piston

Hyg. Probenahmeventile mit PEEK-Kolben

P 915 N with hose connection / mit Schlauchtülle

1.4404 (AISI 316L)

| METRIC/METRISCH | | | | | | | | ID-NO.* | PRICE/PREIS |
|-----------------|-----|-----|----|----|------|-----|---------|----------|-------------|
| DN | ØD1 | ØD2 | F | H | L | kg | | | |
| G 1/4" | 8 | 10 | 14 | 42 | 87.5 | 0.3 | 0549030 | 145,00 € | |
| G 3/8" | 10 | 10 | 14 | 42 | 87.5 | 0.3 | 0549048 | 145,00 € | |
| G 1/2" | 10 | 10 | 14 | 42 | 87.5 | 0.3 | 0148817 | 145,00 € | |
| G 3/4" | 10 | 10 | 14 | 42 | 87.5 | 0.3 | 0549345 | 145,00 € | |



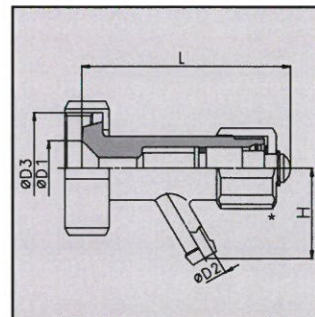
Hyg. Sampling Valves with PEEK-Piston

Hyg. Probenahmeventile mit PEEK-Kolben

P 916 N with hose connection / mit Schlauchtülle

1.4404 (AISI 316L)

| METRIC/METRISCH | | | | | | | | ID-NO.* | PRICE/PREIS |
|-----------------|-----|-----|------------|----|----|-----|---------|----------|-------------|
| DN | ØD1 | ØD2 | ØD3 | H | L | kg | | | |
| 25 | 26 | 10 | Rd 52x1/6" | 42 | 97 | 0.3 | 0917617 | 176,00 € | |



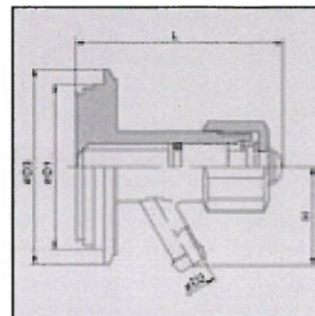
Hyg. Sampling Valves with PEEK-Piston

Hyg. Probenahmeventile mit PEEK-Kolben

P 917 N with hose connection / mit Schlauchtülle

1.4404 (AISI 316L)

| METRIC/METRISCH | | | | | | | | ID-NO.* | PRICE/PREIS |
|-----------------|------|-----|-----|----|----|-----|---------|----------|-------------|
| DN | ØD1 | ØD2 | ØD3 | H | L | kg | | | |
| 40-150 | 70,8 | 10 | 84 | 42 | 88 | 0.3 | 2307365 | 267,00 € | |



Options / Optionen

Additional Charge for adjustment stainless steel nut

Mehrpreis für Stellmutter aus Edelstahl

| DN | PRICE/PREIS |
|--------------------|-------------|
| General / Generell | 41,00 € |

* plastic-adjustment nut
* Kunststoff-Stellmutter

7.1

OVERVIEW / ÜBERSICHT

HELP / HILFE CONTACT / KONTAKT

LEGAL NOTICE / IMPRESSUM