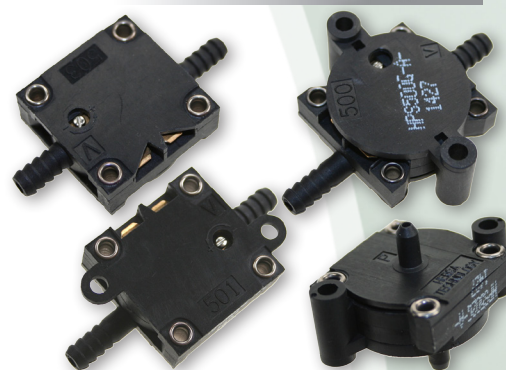


# HPS-500-G Pressure Switch

# herga





Technology Ltd

- Pressure, vacuum and differential switching to very high sensitivity
- Factory set or adjustable actuation setpoint
- Miniature size - ideal for OEM applications
- Wide choice of form factors for maximum installation flexibility
- Long life with high reliability



## General specifications

Actuation pressure / Setpoint tolerance	See detailed information below
Switch type	Single pole, single throw, normally open (Normally closed - contact Variohm)
Contact voltage	30 V max. AC/DC, 120 VAC Neon Lamp load
Current rating	40 mA max. resistive DC
Contact resistance	1Ω or less at 150% of actuation pressure
Proof pressure	See detailed information below
Material	Glass-filled polyester case, Urethane diaphragm* * Range "A" = Teflon diaphragm as standard
Mechanical life	20 x 10 <sup>6</sup> cycles
Temperature range	+4°C to +65°C, Some setpoint deviation may occur throughout the temperature range

Model Part Number	Form Factor (see drawings)	Pressure range	Setpoint tolerance	Proof Pressure
HPS-500-G RANGE - A		0.25 to 1.25 mbar [0.10" to 0.50" H <sub>2</sub> O]	± 0.25 mbar [± 0.1" H <sub>2</sub> O]	12 mbar (5" H <sub>2</sub> O)
HPS-500-G RANGE - B		1.25 to 5.0 mbar [0.50" to 2.0" H <sub>2</sub> O]	± 0.50 mbar [± 0.2" H <sub>2</sub> O]	37 mbar (15" H <sub>2</sub> O)
HPS-500-G RANGE - C		5 to 25 mbar [2" to 10" H <sub>2</sub> O]	± 1.25 mbar [± 0.5" H <sub>2</sub> O]	174 mbar (70" H <sub>2</sub> O)
HPS-500-G RANGE - D		25 to 75 mbar [10" to 30" H <sub>2</sub> O]	± 10 %	623 mbar (250" H <sub>2</sub> O)
HPS-500-G RANGE - E		75 to 374 mbar [30" to 150" H <sub>2</sub> O]	± 10 %	1.4 bar (20 PSI) (550" H <sub>2</sub> O)
HPS-500-G RANGE - F		374 to 1370 mbar [150" to 550" H <sub>2</sub> O]	± 10 %	1.7 bar (25 PSI) (690" H <sub>2</sub> O)
HPS-501-G RANGE - A		0.25 to 1.25 mbar [0.10" to 0.50" H <sub>2</sub> O]	± 0.25 mbar [± 0.1" H <sub>2</sub> O]	12 mbar (5" H <sub>2</sub> O)
HPS-501-G RANGE - B		1.25 to 5.0 mbar [0.50" to 2.0" H <sub>2</sub> O]	± 0.50 mbar [± 0.2" H <sub>2</sub> O]	37 mbar (15" H <sub>2</sub> O)
HPS-501-G RANGE - C		5 to 25 mbar [2" to 10" H <sub>2</sub> O]	± 1.25 mbar [± 0.5" H <sub>2</sub> O]	174 mbar (70" H <sub>2</sub> O)
HPS-501-G RANGE - D		25 to 75 mbar [10" to 30" H <sub>2</sub> O]	± 10 %	623 mbar (250" H <sub>2</sub> O)
HPS-501-G RANGE - E		75 to 374 mbar [30" to 150" H <sub>2</sub> O]	± 10 %	1.4 bar (20 PSI) (550" H <sub>2</sub> O)
HPS-501-G RANGE - F		374 to 1370 mbar [150" to 550" H <sub>2</sub> O]	± 10 %	1.7 bar (25 PSI) (690" H <sub>2</sub> O)
HPS-502-G RANGE - A		0.25 to 1.25 mbar [0.10" to 0.50" H <sub>2</sub> O]	± 0.25 mbar [± 0.1" H <sub>2</sub> O]	12 mbar (5" H <sub>2</sub> O)
HPS-502-G RANGE - B		1.25 to 5.0 mbar [0.50" to 2.0" H <sub>2</sub> O]	± 0.50 mbar [± 0.2" H <sub>2</sub> O]	37 mbar (15" H <sub>2</sub> O)
HPS-502-G RANGE - C		5 to 25 mbar [2" to 10" H <sub>2</sub> O]	± 1.25 mbar [± 0.5" H <sub>2</sub> O]	174 mbar (70" H <sub>2</sub> O)
HPS-502-G RANGE - D		25 to 75 mbar [10" to 30" H <sub>2</sub> O]	± 10 %	623 mbar (250" H <sub>2</sub> O)
HPS-502-G RANGE - E		75 to 374 mbar [30" to 150" H <sub>2</sub> O]	± 10 %	1.4 bar (20 PSI) (550" H <sub>2</sub> O)
HPS-502-G RANGE - F		374 to 1370 mbar [150" to 550" H <sub>2</sub> O]	± 10 %	1.7 bar (25 PSI) (690" H <sub>2</sub> O)
HPS-503-G RANGE - A		0.25 to 1.25 mbar [0.10" to 0.50" H <sub>2</sub> O]	± 0.25 mbar [± 0.1" H <sub>2</sub> O]	12 mbar (5" H <sub>2</sub> O)
HPS-503-G RANGE - B		1.25 to 5.0 mbar [0.50" to 2.0" H <sub>2</sub> O]	± 0.50 mbar [± 0.2" H <sub>2</sub> O]	37 mbar (15" H <sub>2</sub> O)
HPS-503-G RANGE - C		5 to 25 mbar [2" to 10" H <sub>2</sub> O]	± 1.25 mbar [± 0.5" H <sub>2</sub> O]	174 mbar (70" H <sub>2</sub> O)
HPS-503-G RANGE - D		25 to 75 mbar [10" to 30" H <sub>2</sub> O]	± 10 %	623 mbar (250" H <sub>2</sub> O)
HPS-503-G RANGE - E		75 to 374 mbar [30" to 150" H <sub>2</sub> O]	± 10 %	1.4 bar (20 PSI) (550" H <sub>2</sub> O)
HPS-503-G RANGE - F		374 to 1370 mbar [150" to 550" H <sub>2</sub> O]	± 10 %	1.7 bar (25 PSI) (690" H <sub>2</sub> O)

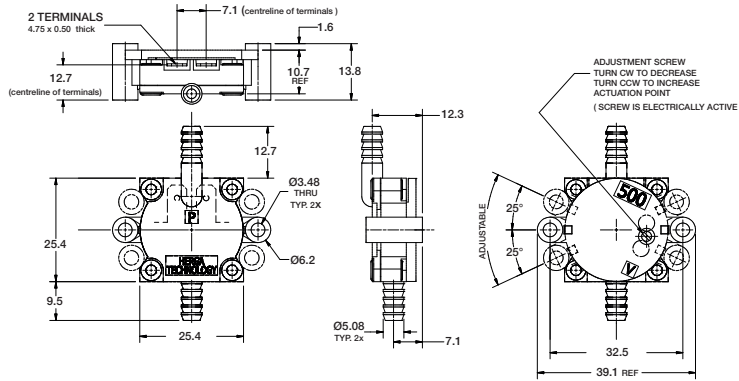
# HPS-500-G Pressure Switch



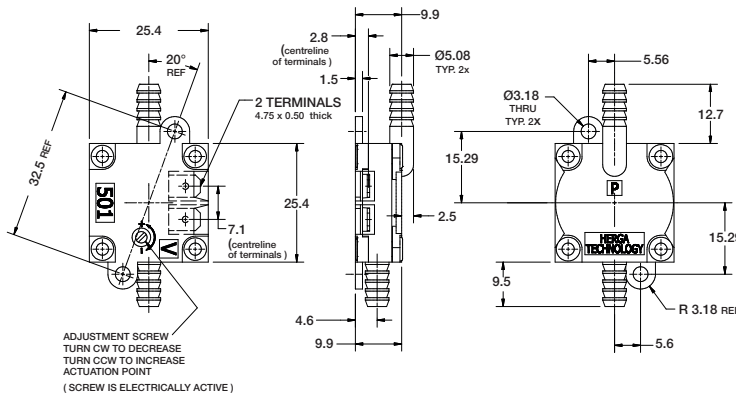
Technology Ltd

## Dimensions (mm)

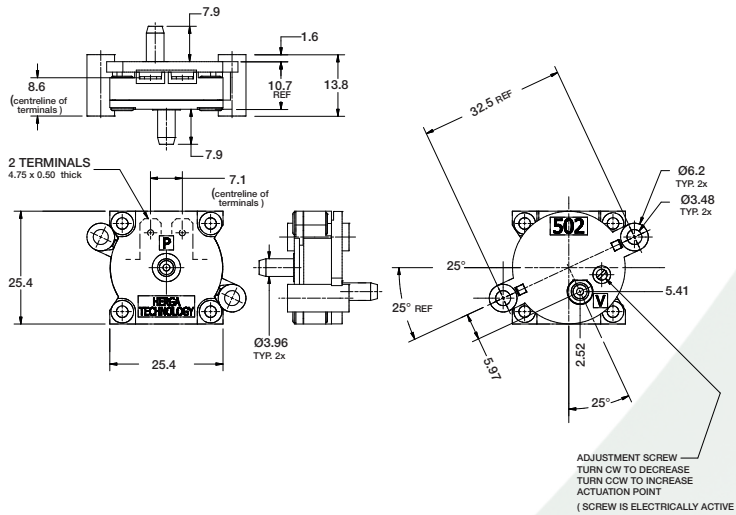
Form 1  
HPS-500 - G



Form 2  
HPS-501 - G



Form 3  
HPS-502 - G



Form 4  
HPS-503 - G

