

Differential Pressure  
**TRANSMITTER**



*Programmable with ultra low ranges  
with or without display*

- PRESSURE RANGES DOWN TO  $\pm 5$  Pascals (0.02 "Wg)
- ACCURACY  $< \pm 0.25\%$  OF READING
- SQUARE ROOT OUTPUT FOR FLOW/VELOCITY (OPTIONAL)
- INTEGRAL DISPLAY OF ENGINEERING UNITS (OPTIONAL)
- 2, 3 OR 4 WIRE CONFIGURATIONS
- CURRENT OR VOLTAGE OUTPUTS
- PC PROGRAMMABLE
- \*12-36 VDC INPUT
- OPTIONAL TRIP LEVELS (RELAYS)

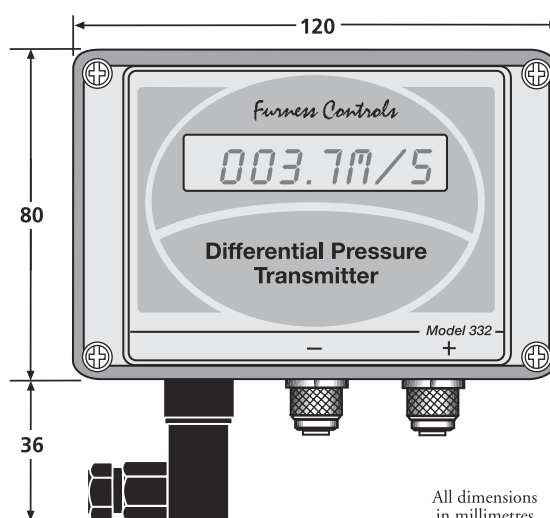
# Differential Pressure TRANSMITTER

### DESCRIPTION:

The FCO332 is a general purpose differential pressure transmitter available in 2, 3 or 4 wire configuration to suit a wide range of Input and Output requirements.

The transducer is based on the proven and unique Furness Controls capacitive design.

Output can be scaled as linear to differential pressure or as a square root function (cost option) for flow applications. The FCO332 is housed in a compact, robust, polycarbonate enclosure rated to IP54 and has secure pneumatic connections for flexible polymer 6 x 4 mm tubing. A 4 digit LCD (cost option) is available to display output in a variety of engineering units.



All dimensions in millimetres

### SPECIFICATIONS

#### FEATURES AND FUNCTIONS:

- 6 available Models from  $\pm .2000$ "wg to  $\pm 80.00$ "wg. Each Model programmable by PC or Keypad to any precise range and/or any equivalent engineering units required, over a 10:1 span.
- Output options:
  - 2-wire current 4 - 20mA
  - 3-wire voltage 0-1, 0-2, 0-5, 0-10, 0.2-1, 1-5, 2-10 vdc
  - 4-wire voltage 0-1, 0-2, 0-5, 0-10,  $\pm 1$ ,  $\pm 2$ ,  $\pm 5$ ,  $\pm 10$  vdc
- Available pressure units (LCD) - Pa, kPa, mmH<sub>2</sub>O, mbar, mmHg, "H<sub>2</sub>O, "Hg, psi
- Available volume flow units (LCD) - l/s, l/min, l/hr, cf/s, cf/min, cf/hr, m<sup>3</sup>/s, m<sup>3</sup>/min, m<sup>3</sup>/hr
- Available mass flow units (LCD) - lb/s, lb/min, lb/hr, kg/s, kg/min, kg/hr
- Available velocity units (LCD) - m/s, ft/s, mph, ft/min, km/hr
- Available misc. units (LCD) - mA, %, none
- Adjustable signal damping 0.1 - 60.0 secs
- Internal error indication output - high 21.0 mA or low 3.0 mA
- Pneumatic connection - barbs with locknut for 6mm OD x 4 mm ID polymer tubing 1/4" BSP female tapped for suitable fitting/adaptor
- 2 Adjustable Trip Levels (Relays) rated 3 amp 50vac/30vdc (Chargeable option)

Agents Stamp:

CP125899.06.03

#### PERFORMANCE:

Accuracy	<0.25% of reading
Span adjustment	10-100% range
Transducer zero range	$\pm 10\%$ of factory setting
Linearity	< $\pm 0.1\%$ of reading
Hysteresis	< 0.1% of reading
Temperature coefficient (zero)	< $\pm 0.02\%$ FSD/ $^{\circ}$ C
Temperature coefficient (span)	< $\pm 0.02\%$ / $^{\circ}$ C
Temperature compensation	-10 to 60 $^{\circ}$ C
Temperature working limits	-10 to 60 $^{\circ}$ C
Temperature storage limits	-10 to 70 $^{\circ}$ C
Static working pressure	0 to 30 psi absolute
Overpressure rating	20 x DP range

#### CONSTRUCTION:

- Polycarbonate IP54 rated enclosure
- Materials in media contact: copper, brass, nickel, mica, PVC
- Media compatibility - non-corrosive gases, max 95% humidity non-condensing
- Dimensions: 4.7 x 3.2 x 2.3 IN (w x h x d) excl. cable gland and pneumatic fittings 116mm (h) incl. electrical connection
- Weight: 0.5 kg

#### ACCESSORIES:

- NIST traceable calibration
- FCO301 PC utility software for programming and calibrating
- FCO302 Keypad for programming and calibrating

## Furness Controls

2020 Younts Road, Indian Trail, NC 28079  
 Phone: 704-882-3311 Fax: 704-882-3811  
 Email: sales@furnesscontrols.com  
 Web: www.furnesscontrols.com