

Travel Sensor for linear actuators

Construction

The GEMÜ 4232 is a travel sensor for detecting the valve stroke position of globe and diaphragm valves with linear actuators. It is a potentiometer with a passive resistance element (support material and a resistance track of conductive plastic) and a passive wiper.

It serves as a position sensor for the intelligent GEMÜ 1434 μ Pos, GEMÜ 1435 ePos and GEMÜ 1436 cPos valve positioners.

Features

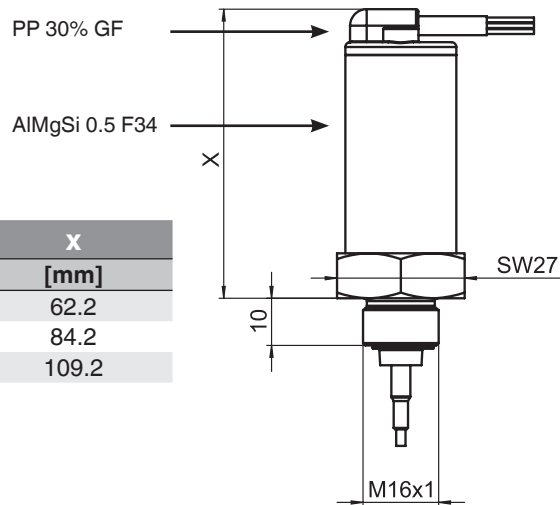
- Proven design
- Can also be used in areas subject to explosion hazards via external safety barriers
- Longlife travel sensor

Advantages

- Simple mounting to all kinds of linear actuators
- Can also be adapted to actuators by other manufacturers

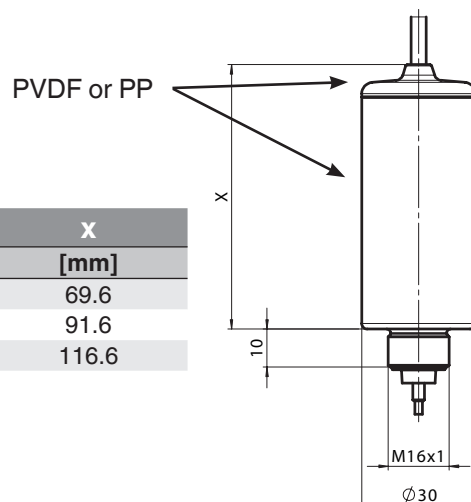
Materials and dimensions - travel sensor [mm]

Housing material: Aluminium



Travel Stroke [mm]	x [mm]
30	62.2
50	84.2
75	109.2

Housing material: PVDF or PP



Travel Stroke [mm]	x [mm]
30	69.6
50	91.6
75	116.6



Technical data

General information

Protection class to EN 60529	IP 65
Dimensions LxWxH	see page 1
Mounting position	optional

Electrical data

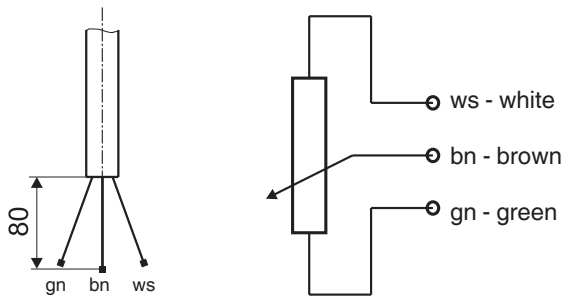
Travel	30	50	75
Defined electrical range (mm)	30	50	75
Ferrule resistor (Ohm)	3k	5k	5k
Max. permissible supply voltage (V)	42	42	42

Operating conditions

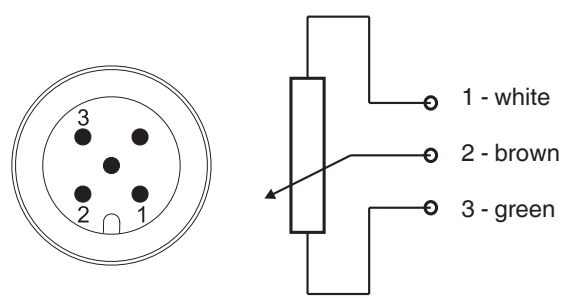
Temperature range	-10 ... +80°C
Service life (cycles)	10 x 10 ⁶

Electrical connection

Version with open wires (Code 0000)



Version with M12 cable plug (Code 4001)



Order data

Field bus	Code
Without	000

Cable length	Code
Length 2.0 m	02M0
Length 5.0 m	05M0
Length 10.0 m	10M0
Length 20.0 m	20M0
Others on request	

Housing material	Code
PP	05
Aluminium, black anodized	14
PVDF (suitable for High Purity)	20

Cable connection	Code
M12 cable plug, straight, 5-pin, plastic	4001
Open wires with multicore cable ends	0000

Travel	Code
Potentiometer, 30 mm length	030
Potentiometer, 50 mm length	050
Potentiometer, 75 mm length	075

Order example	4232	000	Z	14	030	05M0	4001
Type	4232						
Field bus (code)		000					
Accessory			Z				
Housing material (code)				14			
Travel (code)					030		
Cable length (code)						05M0	
Cable connection (code)							4001

Note: Mounting kit 4232 S01 Z... (plastic spindle, spring, threaded adapter, if required) dependent on valve type.
Please order separately with specification of valve type, DN and control function.

The photograph on page 1 shows the **GEMÜ 4232** travel sensor with mounting kit.

GEMÜ® VALVES, MEASUREMENT
AND CONTROL SYSTEMS

