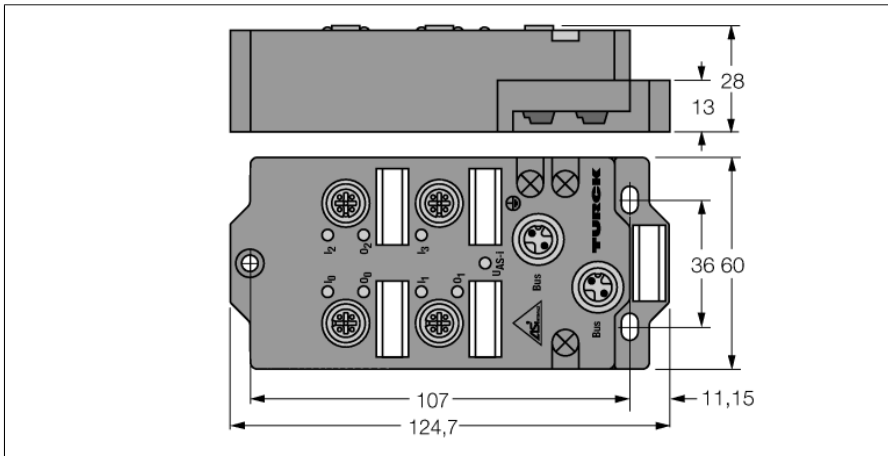


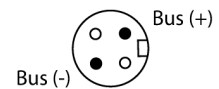
compact fieldbus station for AS-interface
4 Inputs, 3 Outputs
FAS4-CSG43



- Bus connected via AS-interface flat cable or male M12 x 1
- Field devices connected via male M12 x 1
- AS-i specification V2.1
- Short-circuit diagnostics
- Cast housing
- Protection class IP67
- Address range 1...31 A/B
- 4 inputs PNP
- 3 outputs PNP
- 24 VDC

| | |
|---------------------------------|--|
| Type designation | FAS4-CSG43 |
| Ident no. | 6821322 |
| Operating / load voltage | 18...31 (AS-i) VDC |
| internal power consumption | <20 mA plus I/O supply |
| Inputs | |
| Number of channels | 4 |
| Low level signal current | <2 mA at 24 VDC |
| High level signal current | 3...3.4 mA at 24 VDC |
| Input delay | 2.5 ms |
| Max. input current | Total: 400 mA |
| Outputs | |
| Number of channels | 3 |
| Output current per channel | 200 mA |
| Short-circuit protection | yes |
| Fieldbus address range | 1...31 A/B |
| Fieldbus addressing | AS-i addressing tool |
| LEDs Bus | I/O: green = on . red = short-circuit (outputs) AS-i green = OK . red/green = fault |
| Dimensions (W x L x H) | 60 x 124.7 x 28 mm |
| Housing material | fibre-glass reinforced Polyamide (PA6-GF30) |
| Mounting | 4 mounting holes Ø 5,4 mm |
| Ambient temperature | -25...+70 °C |
| Protection class | IP67 |

Fieldbus



M12 x 1 Input/Output

3-wire pnp sensor
DC actuator

