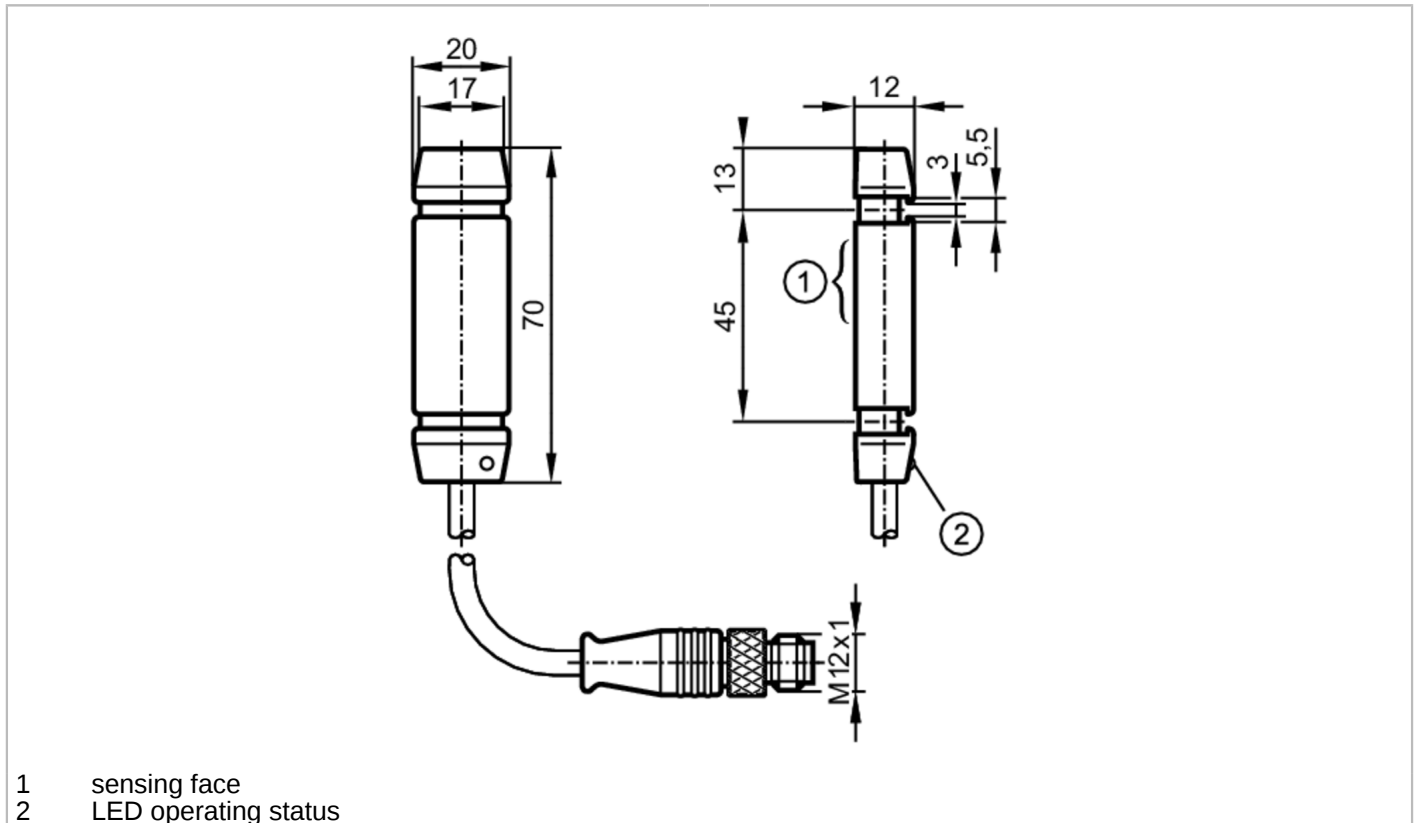




Inductive tube sensor

I8-3020-BPKG/DY/0,09M/US100DPS



Product characteristics

Electrical design	PNP
Output function	normally open
Sensing range [mm]	< 14
Housing	rectangular
Dimensions [mm]	70 x 20 x 12

Application

Principle of operation	dynamic
------------------------	---------

Electrical data

Operating voltage [V]	10...35 DC
Current consumption [mA]	< 25
Protection class	III
Reverse polarity protection	yes

Outputs

Electrical design	PNP
Output function	normally open
Max. voltage drop switching output DC [V]	2
Permanent current rating of switching output DC [mA]	200
Short-circuit protection	yes
Overload protection	yes

I85009



Inductive tube sensor

I8-3020-BPKG/DY/0,09M/US100DPS

Monitoring range		
Sensing range [mm]	< 14	
Resolution of steel ball (diameter) [mm]	3	
Max. part speed [m/s]	25	
Reaction times		
Pulse stretching [ms]	100	
Max. fall time [ms]	100	
Response time [ms]	< 0.2	
Operating conditions		
Ambient temperature [°C]	-25...70	
Protection	IP 67	
Tests / approvals		
MTTF [years]	1188	
UL approval	Ta	-25...70 °C
	Enclosure type	Type 4X (indoor use only) / 12 and 13
	voltage supply	Class 2
	File number UL	E174191
Mechanical data		
Weight [g]	59	
Housing	rectangular	
Dimensions [mm]	70 x 20 x 12	
Material	housing: PC	
Displays / operating elements		
Display	Switching status	1 x LED, yellow
	Power	1 x LED, green
Accessories		
Items supplied	fixing straps: 2	
Remarks		
Pack quantity	1 pcs.	
Electrical connection - plug		
Cable: 0.09 m, PUR		
Connector: 1 x M12; coding: A		



I85009



Inductive tube sensor

I8-3020-BPKG/DY/0,09M/US100DPS

Connection

