

FILTRE

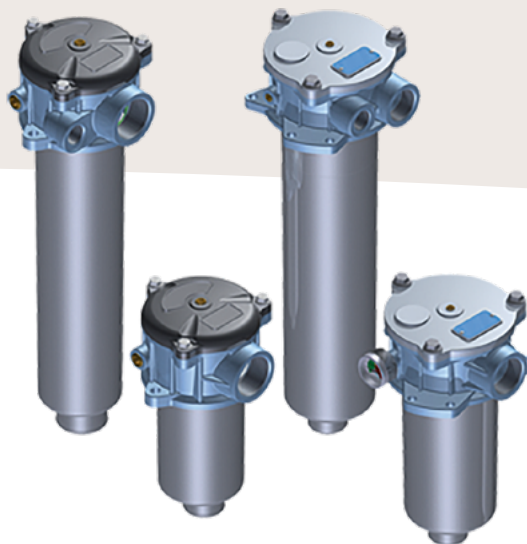
- **9.1. Returfiltre**
- **9.2. In-line magnetfiltre**
- **9.3. Højtryksfiltre**
- **9.4. Sugesier**
- **9.5. Luft og påfyldning**
- **9.6. Fugtabsorberings åndefilter**

9.1. RETURFILTER

Returfilter for tankmontage

- Max. arbejdsstryk 8 bar
- By-pass ventil 1,75 bar

$$\text{Effektiv optagelse af snavs i \%} = \frac{(\beta_x - 1) \times 100}{\beta_x}$$



| Betegnelse | Type | Finhed micron | Liter/min. | Tilslutning BSP | Varenummer |
|---------------------|----------------|---------------|------------|-----------------|------------|
| MPF0301AG1A10HBPP01 | Komplet filter | 10 μ β 1000 | 24 | 1/2" | |
| MF0301A25HBPP01 | Filterelement | 6 μ β 1000 | 10 | | |
| MF0301A10HBPP01 | Filterelement | 10 μ β 1000 | 24 | | |
| MF0301P10NBPP01 | Filterelement | 10 μ β 2 | 60 | | |
| MPF1002AG3A10HBPP01 | Komplet filter | 10 μ β 1000 | 64 | 1" | |
| MF1002A25HBPP01 | Filterelement | 6 μ β 1000 | 38 | | |
| MF1002A10HBPP01 | Filterelement | 10 μ β 1000 | 64 | | |
| MF1002P10NBPP01 | Filterelement | 10 μ β 2 | 110 | | |
| MPF1811AG2A10HBPP01 | Komplet filter | 10 μ β 1000 | 230 | 1 1/2" | |
| MF1801A25HBPP01 | Filterelement | 6 μ β 1000 | 145 | | |
| MF1801A10HBPP01 | Filterelement | 10 μ β 1000 | 230 | | |
| MF1801P10NBPP01 | Filterelement | 10 μ β 2 | 280 | | |
| MPF4002AG3A10HBPP01 | Komplet filter | 10 μ β 1000 | 450 | 2" | |
| MF4002A25HBPP01 | Filterelement | 6 μ β 1000 | 250 | | |
| MF4002A10HBPP01 | Filterelement | 10 μ β 1000 | 450 | | |
| MF4002P10NBPP01 | Filterelement | 10 μ β 2 | 610 | | |
| MPF7501AF1A10HBPP01 | Filterelement | 10 μ β 1000 | 620 | 2" SAE | |
| MF7501A25HBPP01 | Filterelement | 6 μ β 1000 | 460 | | |
| MF7501A10HBPP01 | Filterelement | 10 μ β 1000 | 620 | | |
| MF7501P10NBPP01 | Filterelement | 10 μ β 2 | 750 | | |

Indikator

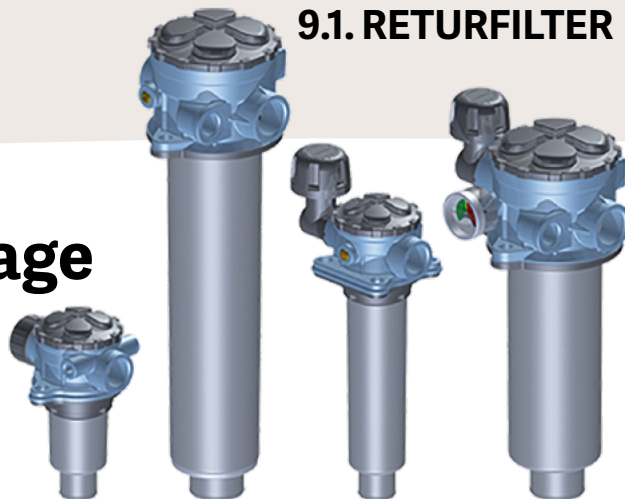
| Betegnelse | Type | Varenummer |
|--------------|-----------------------------------|------------|
| BEA15HA50P01 | Elektrisk indikator alarm 1,5 bar | |
| BVA14P01 | Visuel indikator alarm 1,4 bar | |

Returfilter for tankmontage

med påfyldning, og 10µ luftfilter og anti splash funktion

- Max. arbejdsstryk 8 bar
- By-pass ventil 1,75 bar

$$\text{Effektiv optagelse af snavs i \%} = \frac{(\beta_x - 1) \times 100}{\beta_x}$$



| Betegnelse | Type | Finhed micron | Liter/min. | Tilslutning BSP | Varenummer |
|----------------------|----------------|---------------|------------|-----------------|------------|
| MPT0252DAG2A10HBBP01 | Komplet filter | 10 µ β 1000 | 45 | 1/2" | |
| MF02012A06HBBP01 | Filterelement | 6 µ β 1000 | 19 | | |
| MF02012A10HBBP01 | Filterelement | 10 µ β 1000 | 45 | | |
| MF02012P10NBBP01 | Filterelement | 10 µ β 2 | 64 | | |
| MPT1102DAG2A10NBBP01 | Komplet filter | 10 µ β 1000 | 64 | 1" | |
| MF1002A06HBBP01 | Filterelement | 6 µ β 1000 | 38 | | |
| MF1002A10HBBP01 | Filterelement | 10 µ β 1000 | 64 | | |
| MF1002P10NBBP01 | Filterelement | 10 µ β 2 | 110 | | |
| MPT1203DAG3A10HBBP01 | Komplet filter | 10 µ β 1000 | 125 | 1 1/2" | |
| MF1203A06HBBP01 | Filterelement | 6 µ β 1000 | 53 | | |
| MF1203A10HBBP01 | Filterelement | 10 µ β 1000 | 125 | | |
| MF1203P10NBBP01 | Filterelement | 10 µ β 2 | 220 | | |

Indikator

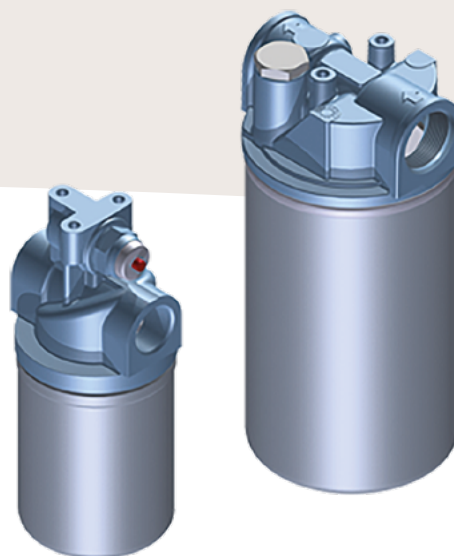
| Betegnelse | Type | Varenummer |
|--------------|-----------------------------------|------------|
| BEA15HA50P01 | Elektrisk indikator alarm 1,5 bar | |
| BVA14P01 | Visuel indikator alarm 1,4 bar | |

9.1. RETURFILTER

Spin-on returfilter for rørmontage

- Max. arbejdstryk 12 bar
- By-pass ventil 1,75 bar

$$\text{Effektiv optagelse af snavs i \%} = \frac{(\beta_x - 1) \times 100}{\beta_x}$$



| Betegnelse | Type | Finhed micron | Liter/min. | Tilslutning BSP | Varenummer |
|----------------|----------------|---------------|------------|-----------------|------------|
| MPS050RG1A10AS | Komplet filter | 10 μ β 200 | 48 | 3/4" | |
| CS050A06A | Filterelement | 6 μ β 200 | 44 | | |
| CS050A10A | Filterelement | 10 μ β 200 | 48 | | |
| CS050P10A | Filterelement | 10 μ β 2 | 55 | | |
| MPS100RG1A10AS | Komplet filter | 10 μ β 200 | 110 | 1 1/4" | |
| CS100A06A | Filterelement | 6 μ β 200 | 85 | | |
| CS100A10A | Filterelement | 10 μ β 200 | 110 | | |
| CS100P10A | Filterelement | 10 μ β 2 | 130 | | |

Vandabsorberende filterelementer

- Elementet absorbere vand samtidig med at det filtrere olien

| Betegnelse | Type | Finhed Micron | Liter/min. | Vand kapacitet | Varenummer |
|------------|---------------|---------------|------------|----------------|------------|
| CW050A03A | Filterelement | 6 μ β 200 | 44 | 240ml | |
| CW050A10A | Filterelement | 10 μ β 200 | 48 | 240ml | |
| CW050P10A | Filterelement | 10 μ β 2 | 55 | 240ml | |
| CW150A03A | Filterelement | 6 μ β 200 | 85 | 788 ml | |
| CW150A10A | Filterelement | 10 μ β 200 | 110 | 788 ml | |
| CW150P10A | Filterelement | 10 μ β 2 | 130 | 788 ml | |

Indikator

| Betegnelse | Type | Varenummer |
|--------------|-----------------------------------|------------|
| BEA15HA50P01 | Elektrisk indikator alarm 1,5 bar | |
| BVA14P01 | Visuel indikator alarm 1,4 bar | |

In-Line Magnetfilter

• Max. arbejdstemperatur 120° C



| Betegnelse | Antal core | Maks. tryk bar | Vægt kg | Diameter mm. | Højde mm | Tilslutning | Varenummer |
|-------------|------------|----------------|---------|--------------|----------|--------------|------------|
| Magnum Mini | 2 | 104 | 0,21 | 48 | 78 | 3/4-16 UNF | |
| Magnum Midi | 2 | 104 | 0,48 | 73 | 98 | 1 1/16-UNF | |
| Magnum Max | 2 | 104 | 1,17 | 108 | 107 | 1 5/8-12 UNF | |

9.2. IN-LINE MAGNETFILTER

Magnetreturfilter

- Max. arbejdstryk 17 bar
- Max. arbejdstemperatur 120° C

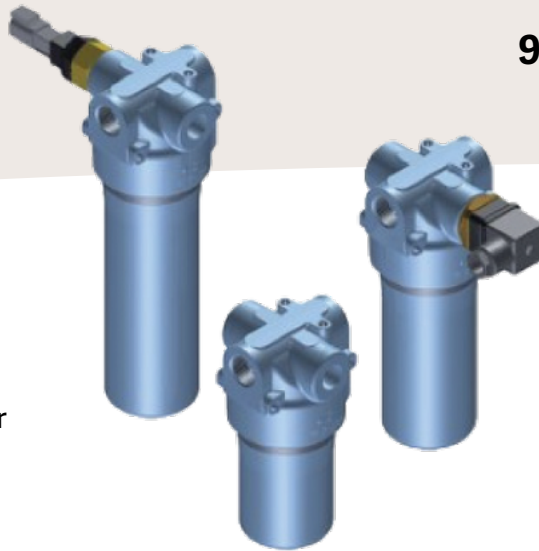


| Betegnelse | Antal core | Snavs Kapacitet gram | Vægt kg | Diameter mm. | Højde mm | Tilslutning BSP | Varenummer |
|--------------------|------------|----------------------|---------|--------------|----------|-----------------|------------|
| Magnum IPU In-Line | 5 | 2000 | 8,2 | 200/150 | 235 | 2" | |
| Magnum IPU In-Line | 10 | 4000 | 25 | 200/150 | 522 | 2" | |

Højtryksfilter

- Max. arbejdstryk 420 bar
- By-pass ventil 6 bar
- Filterelements kollapstryk 20 bar

$$\text{Effektiv optagelse af snavs i \%} = \frac{(\beta_x - 1) \times 100}{\beta_x}$$



| Betegnelse | Type | Finhed micron | Liter/ min. | Tilslutning BSP /SAE 6000 psi | Varenummer |
|--------------------|----------------|------------------|----------------|----------------------------------|------------|
| FHP0651BAG2A10NP01 | Komplet filter | 10 μ β 1000 | 55 | ¾" | |
| HP0651A10ANP01 | Filterelement | 10 μ β 1000 | 55 | | |
| HP0651A06ANP01 | Filterelement | 06 μ β 1000 | 32 | | |
| HP0651A03ANP01 | Filterelement | 03 μ β 1000 | 24 | | |
| FHP1351BAG2A10NP01 | Komplet filter | 10 μ β 1000 | 110 | 1" | |
| HP1351A10ANP01 | Filterelement | 10 μ β 1000 | 110 | | |
| HP1351A06ANP01 | Filterelement | 06 μ β 1000 | 71 | | |
| HP1351A03ANP01 | Filterelement | 03 μ β 1000 | 67 | | |
| FHP3201BAG2A10NP01 | Komplet filter | 10 μ β 1000 | 230 | 1½" | |
| HP3201A10ANP01 | Filterelement | 10 μ β 1000 | 230 | | |
| HP3201A06ANP01 | Filterelement | 06 μ β 1000 | 139 | | |
| HP3201A03ANP01 | Filterelement | 03 μ β 1000 | 126 | | |
| FHP3202BAF5A10NP01 | Komplet filter | 10 μ β 1000 | 365 | 1¼" SAE | |
| HP3202A10ANP01 | Filterelement | 10 μ β 1000 | 365 | | |
| HP3202A06ANP01 | Filterelement | 06 μ β 1000 | 270 | | |
| HP3202A03ANP01 | Filterelement | 03 μ β 1000 | 248 | | |
| FHP5003BAF7A10NP01 | Komplet filter | 10 μ β 1000 | 570 | 2" SAE | |
| HP5003A10ANP01 | Filterelement | 10 μ β 1000 | 570 | | |
| HP5003A06ANP01 | Filterelement | 06 μ β 1000 | 460 | | |
| HP5003A03ANP01 | Filterelement | 03 μ β 1000 | 435 | | |

Indikator

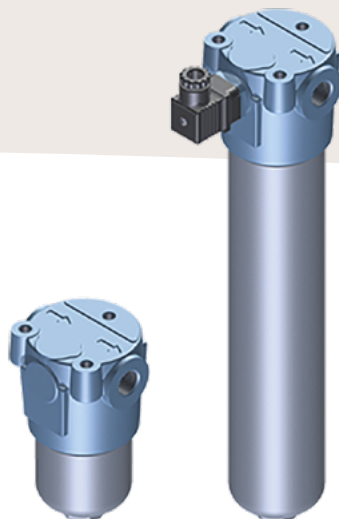
| Betegnelse | Type | Varenummer |
|--------------|--|------------|
| DLA504A71P01 | Elektrisk indikator alarm 5 bar med 24 VDC lys | |

9.3. HØJTRYKSFILTER

Højtryksfilter

- Max. arbejdstryk 420 bar
- By-pass ventil 6 bar
- Filterelements kollapstryk 20 bar

$$\text{Effektiv optagelse af snavs i \%} = \frac{(\beta_x - 1) \times 100}{\beta_x}$$



| Betegnelse | Type | Finhed micron | Liter/min. | Tilslutning BSP | Varenummer |
|-------------------|----------------|---------------|------------|-----------------|------------|
| FMM0501BADA10NPO1 | Komplet filter | 10 μ β 1000 | 80 | 3/4" | |
| HP0501A10ANP01 | Filterelement | 10 μ β 1000 | 80 | | |
| HP0501A06ANP01 | Filterelement | 06 μ β 1000 | 44 | | |
| HP0501A03ANP01 | Filterelement | 03 μ β 1000 | 44 | | |
| FMM0502BADA10NPO1 | Komplet filter | 10 μ β 1000 | 87 | 3/4" | |
| HP0502A10ANP01 | Filterelement | 10 μ β 1000 | 87 | | |
| HP0502A06ANP01 | Filterelement | 06 μ β 1000 | 58 | | |
| HP0502A03ANP01 | Filterelement | 03 μ β 1000 | 53 | | |
| FMM0503BADA10NPO1 | Komplet filter | 10 μ β 1000 | 100 | 3/4" | |
| HP0503A10ANP01 | Filterelement | 10 μ β 1000 | 100 | | |
| HP0503A06ANP01 | Filterelement | 06 μ β 1000 | 71 | | |
| HP0503A03ANP01 | Filterelement | 03 μ β 1000 | 68 | | |
| FMM0505BADA10NPO1 | Komplet filter | 10 μ β 1000 | 130 | 3/4" | |
| HP0505A10ANP01 | Filterelement | 10 μ β 1000 | 130 | | |
| HP0505A06ANP01 | Filterelement | 06 μ β 1000 | 112 | | |
| HP0505A03ANP01 | Filterelement | 03 μ β 1000 | 110 | | |

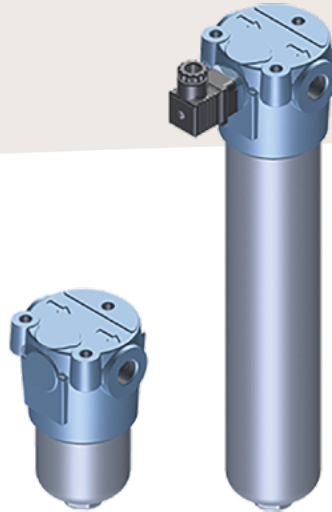
Indikator

| Betegnelse | Type | Varenummer |
|--------------|--|------------|
| DLA504A71P01 | Elektrisk indikator alarm 5 bar med 24 VDC lys | |

Højtryksfilter

- Max. arbejdstryk 560 bar
- By-pass ventil 6 bar
- Filterelements kollapstryk 20 bar

$$\text{Effektiv optagelse af snavs i \%} = \frac{(\beta_x - 1) \times 100}{\beta_x}$$



| Betegnelse | Type | Finhed micron | Liter/min. | Tilslutning BSP | Varenummer |
|-------------------|----------------|---------------|------------|-----------------|------------|
| FHA0511BADA10NPO1 | Komplet filter | 10 μ β 1000 | 80 | 3/4" | |
| HP0511A10ANP01 | Filterelement | 10 μ β 1000 | 80 | | |
| HP0511A06ANP01 | Filterelement | 06 μ β 1000 | 44 | | |
| HP0511A03ANP01 | Filterelement | 03 μ β 1000 | 44 | | |
| FHA0512BADA10NPO1 | Komplet filter | 10 μ β 1000 | 87 | 3/4" | |
| HP0512A10ANP01 | Filterelement | 10 μ β 1000 | 87 | | |
| HP0512A06ANP01 | Filterelement | 06 μ β 1000 | 58 | | |
| HP0512A03ANP01 | Filterelement | 03 μ β 1000 | 53 | | |
| FHA0513BADA10NPO1 | Komplet filter | 10 μ β 1000 | 100 | 3/4" | |
| HP0513A10ANP01 | Filterelement | 10 μ β 1000 | 100 | | |
| HP0513A06ANP01 | Filterelement | 06 μ β 1000 | 71 | | |
| HP0513A03ANP01 | Filterelement | 03 μ β 1000 | 68 | | |
| FHA0515BADA10NPO1 | Komplet filter | 10 μ β 1000 | 130 | 3/4" | |
| HP0515A10ANP01 | Filterelement | 10 μ β 1000 | 130 | | |
| HP0515A06ANP01 | Filterelement | 06 μ β 1000 | 112 | | |
| HP0515A03ANP01 | Filterelement | 03 μ β 1000 | 110 | | |

Indikator

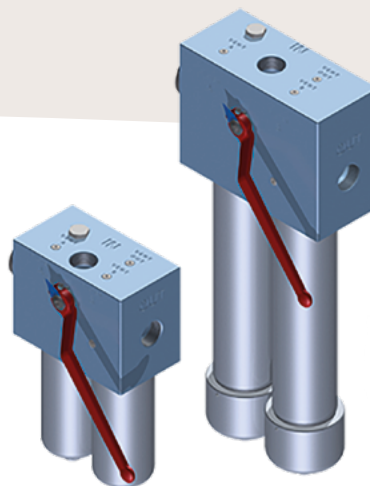
| Betegnelse | Type | Varenummer |
|--------------|--|------------|
| DLA504A71P01 | Elektrisk indikator alarm 5 bar med 24 VDC lys | |

9.3. HØJTRYKSFILTER

Dobbelt højtryksfilter

- Max. arbejdstryk: 350 bar
- By-pass ventil 6 bar
- Filterelements kollapstryk 20 bar

$$\text{Effektiv optagelse af snavs i \%} = \frac{(\beta_x - 1) \times 100}{\beta_x}$$



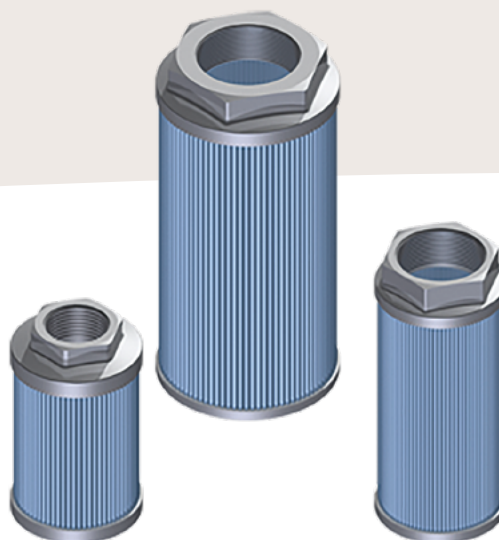
| Betegnelse | Type | Finhed micron | Liter/min. | Tilslutning BSP | Varenummer |
|--------------------|----------------|---------------|------------|-----------------|------------|
| FHD0213SAG1A10RPO1 | Komplet filter | 10 μ β 1000 | 27 | 1/2" | |
| HP0113A10ARP01 | Filterelement | 10 μ β 1000 | 27 | | |
| HP0113A06ARP01 | Filterelement | 06 μ β 1000 | 20 | | |
| FHD0513BAG1A10RPO1 | Komplet filter | 10 μ β 1000 | 81 | 3/4" | |
| HP0505A10ARP01 | Filterelement | 10 μ β 1000 | 81 | | |
| HP0505A06ARP01 | Filterelement | 06 μ β 1000 | 77 | | |
| FHD3261BAG1A10RPO1 | Komplet filter | 10 μ β 1000 | 188 | 1 1/4" | |
| HP3201A10ARP01 | Filterelement | 10 μ β 1000 | 188 | | |
| HP3201A06ARP01 | Filterelement | 06 μ β 1000 | 149 | | |

Indikator

| Betegnelse | Type | Varenummer |
|--------------|--|------------|
| DLA504A71P01 | Elektrisk indikator alarm 5 bar med 24 VDC lys | |

Sugesi

- Finhed micron 90 μ
- Liter i min. ved trykfald 0,02 bar



| Betegnelse | By-pass ventil | Liter/min | Dia. Ø mm | Længde mm. | NV | Tilslutning BSP | Varenummer |
|------------------|----------------|-----------|-----------|------------|-----|-----------------|------------|
| STR0502SG1M90P01 | Nej | 15 | 52 | 79 | 30 | 1/2" | |
| STR0702SG1M90P01 | | 30 | 70 | 95 | 41 | 3/4" | |
| STR0704SG1M90P01 | | 50 | 70 | 141 | 41 | 1" | |
| STR1001SG1M90P01 | | 100 | 99 | 137 | 69 | 1 1/4" | |
| STR1003SG1M90P01 | | 150 | 99 | 227 | 69 | 1 1/2" | |
| STR1402SG1M90P01 | | 300 | 130 | 160 | 69 | 2" | |
| STR1404SG1M90P01 | | 450 | 130 | 272 | 101 | 2 1/2" | |
| STR1406SG1M90P01 | | 525 | 130 | 330 | 101 | 3" | |
| STR0502BG1M90P01 | Ja | 15 | 52 | 79 | 30 | 1/2" | |
| STR0702BG1M90P01 | | 30 | 70 | 95 | 41 | 3/4" | |
| STR0704BG1M90P01 | | 50 | 70 | 141 | 41 | 1" | |
| STR1001BG1M90P01 | | 100 | 99 | 137 | 69 | 1 1/4" | |
| STR1003BG1M90P01 | | 150 | 99 | 227 | 69 | 1 1/2" | |
| STR1402BG1M90P01 | | 300 | 130 | 160 | 69 | 2" | |
| STR1404BG1M90P01 | | 450 | 130 | 272 | 101 | 2 1/2" | |
| STR1406BG1M90P01 | | 525 | 130 | 330 | 101 | 3" | |

9.5. LUFT OG PÅFYLDNING

Luft og påfyldning

for tankmontage



| Betegnelse | Ventil åbningstryk bar | Finhed μ | Hul diameter for si mm | Diameter for montage skrue mm | Gevind på skrue | Varenummer |
|----------------|------------------------------|-----------------|---------------------------------|--|--------------------|------------|
| TA46B10A0C1P01 | 0 | 10 | Ø 28 | Ø 41 | M5 x 3 skrue | |
| TA80B10A002P01 | 0 | 10 | Ø 51 | Ø 73 | M5 X 6 skrue | |
| TA80B10A102P01 | 0,3 | 10 | Ø 51 | Ø 73 | M5 X 6 skrue | |
| TA80B10A202P01 | 0,7 | 10 | Ø 51 | Ø 73 | M5 X 6 skrue | |

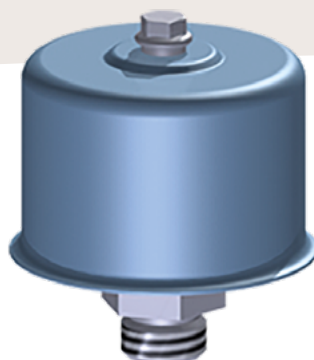


Udluftningsfilter

| Betegnelse | Ventil åbningstryk bar | Finhed μ | L/luft min | Gevind | Varenummer |
|--------------|------------------------------|-----------------|---------------|--------|------------|
| TA46G10P01 | 0 | 10 | 200 | 1/4" | |
| TA80G100P01 | 0 | 10 | 550 | 3/4" | |
| TA80G10A1P01 | 0,3 | 10 | 450 | 3/4" | |
| TA80G10A2P01 | 0,7 | 10 | 550 | 3/4" | |

Udluftningsfilter

med udskiftelig filterelement



| Betegnelse | Filter | Finhed μ | L/luft min | Gevind | Varenummer |
|-----------------|----------------|-------------|---------------|--------|------------|
| SA053G1L10AP01 | Komplet filter | 10 | 250 | 1/4" | |
| A5L10 | Filterelement | 10 | 250 | | |
| A5L03 | Filterelement | 3 | 250 | | |
| SA0053G2L10AP01 | Komplet filter | 10 | 250 | 3/8" | |
| A5L10 | Filterelement | 10 | 250 | | |
| A5L03 | Filterelement | 3 | 250 | | |
| SA075G1L10AP01 | Komplet filter | 10 | 400 | 1/2" | |
| A7L10 | Filterelement | 10 | 400 | | |
| A7L03 | Filterelement | 3 | 350 | | |
| SA075G2L10AP01 | Komplet filter | 10 | 400 | 3/4" | |
| A7L10 | Filterelement | 10 | 400 | | |
| A7L03 | Filterelement | 3 | 350 | | |
| SA115G1L10AP01 | Komplet filter | 10 | 850 | 1" | |
| A8L10 | Filterelement | 10 | 850 | | |
| SA145G1L10AP01 | Komplet filter | 10 | 1850 | 1 1/2" | |
| A10L10 | Filterelement | 10 | 1850 | | |
| A10L03 | Filterelement | 3 | 1800 | | |

9.6. FUGTABSORBERINGS ÅNDEFILTER

Fugtabsorberings åndefilter

- Luftfilter finhed micron $3\mu\beta$ 200



| Betegnelse | Fugtoptagelse: ml. | Dia. Ø mm. | Højde mm. | Max. anbefalet tankvolumen liter | Tilslutning BSP Male | Varenummer |
|------------|--------------------|------------|-----------|----------------------------------|----------------------|------------|
| DC-1 | 50 | 64 | 109 | 19 | 3/8" | |
| DC-2 | 118 | 104 | 105 | 227 | 1" | |
| DC-3 | 220 | 104 | 156 | 379 | 1" | |
| DC-4 | 353 | 104 | 207 | 757 | 1" | |