

DIVERTRON

6" ELECTRONIC MULTI-IMPELLER PUMP



TECHNICAL DATA

Operating range: from 1 to 5,4 m³/h with head up to 46 metres.

Pumped liquid: clean, free of solids and abrasives, non-aggressive.

Liquid temperature range: from 0 °C to +35 °C.

Max. immersion depth: 12 metres.

Motor protection class: IP 68.

Motor protection rating: F.

Installation: fixed or portable, vertical position.

Operation: Manual or automatic with electronic ON/OFF (continuous duty with totally submerged pump).

Discharge port diameter: 1".

Pump maximum diameter: 150 mm.

APPLICATIONS

Multi-impeller submersible pump with integrated electronics for automatic switching on and off. Ideal for use in rain water systems and watering networks, to pump water from cisterns, ponds, and wells, and for other applications requiring high pressure. Available with 3 or 4 impellers. Built-in pressure switch, control circuit board and sensor. Dry run protection. Built-in non-return valve at the delivery. Easy to use and highly reliable. Suitable for pumping clean waters. Very efficient motor cooling, allowing the pump to also be used only partially submerged. Supplied with stainless steel suction filter or stainless steel connection fitting for use with suction kits, particularly suitable for tanks with debris or dirt lying at the bottom. A version complete with suction kit is also available.

CONSTRUCTION FEATURES OF THE PUMP

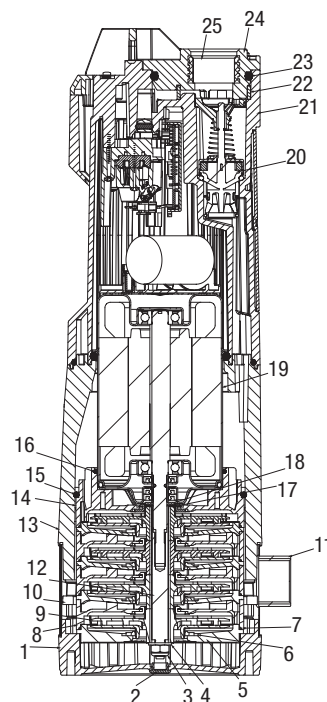
Corrosion and oxidation resistant material. Stainless steel debris strainer.

CONSTRUCTION FEATURES OF THE MOTOR

Submersible type continuous duty asynchronous motor. Thermal overheating protection. Wear-resistant motor shaft.

MATERIALS

N.	PARTS	MATERIALS	
1	BASE	TECHNOPOLYMER	
2	PLUG	TECHNOPOLYMER	
3	NUT	A2 UNI 7474 STAINLESS STEEL	
4	WASHER	A2 STAINLESS STEEL	
5	FINAL DIFFUSER CAP	TECHNOPOLYMER	
6	THRUST RING	TECHNOPOLYMER	
7	OR RING	NBR	
8	DIFFUSER	TECHNOPOLYMER	
9	IMPELLER	TECHNOPOLYMER/AISI 304 STAINLESS STEEL	
10	SPACER	TECHNOPOLYMER	
11	STRAINER RING	AISI 304 STAINLESS STEEL	
12	SHAFT	AISI 303 STAINLESS STEEL	
13	BODY	TECHNOPOLYMER	
14	DIFFUSER SUPPORT	TECHNOPOLYMER	
15	OR RING	NBR	
16	OR RING	NBR	
17	WASHER	A2 STAINLESS STEEL	
18	WASHER	A2 STAINLESS STEEL	
19	MOTOR	CASE	ALUMINIUM
		ROTOR SHAFT	AISI 416 STAINLESS STEEL
20	NON-RETURN VALVE	TECHNOPOLYMER/NBR/SILOPREN FERRIMAX/AISI 302	
21	COVER	TECHNOPOLYMER	
22	SAND STRAINER	TECHNOPOLYMER	
23	OR RING	NBR	
24	DELIVERY COVER	TECHNOPOLYMER	
25	INSERT	NICKEL PLATED BRASS	

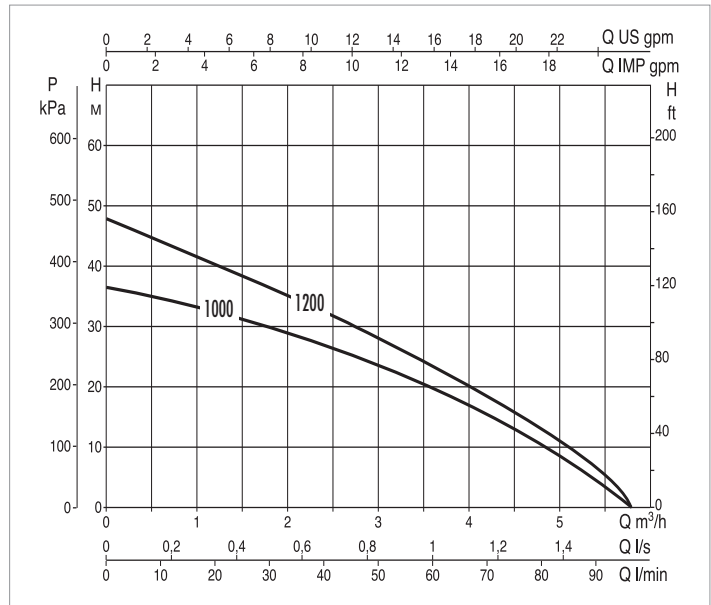
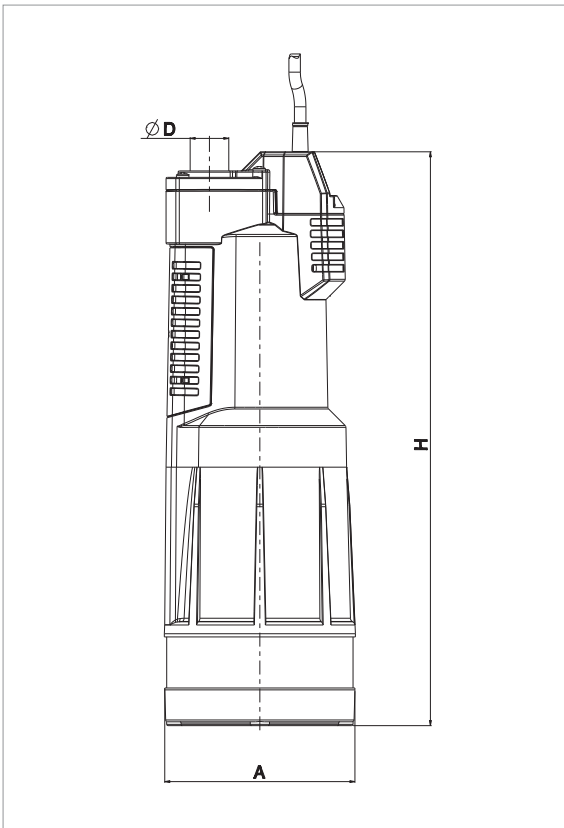


PERFORMANCE AT 50 Hz

MODEL	ELECTRICAL DATA		HYDRAULIC DATA								
	P2 NOMINAL		Q=m³/h	0	0,9	1,8	2,7	3,6	4,5	5,1	5,4
	kW	HP	Q=l/min	0	15	30	45	60	75	85	90
DIVERTRON 1000 M	0,65	0,88	H (m)	36	32,6	28,5	23,6	17	9,5	4,6	1,8
DIVERTRON X 1000 M	0,65	0,88		36	32,6	28,5	23,6	17	9,5	4,6	1,8
DIVERTRON 1200 M	0,75	1		46	41	35,5	29,2	21,8	13,5	7,8	3,5
DIVERTRON X 1200 M	0,75	1		46	41	35,5	29,2	21,8	13,5	7,8	3,5

ELECTRICAL DATA AND DIMENSIONS

MODEL	ELECTRICAL DATA					A	Ø D	H	DNM	PACKING DIMENSIONS			PACKING VOLUME m³	Q.TY X PALLET	WEIGHT kg
	POWER INPUT 50 Hz	P1 kW	P2 NOMINAL		In A										
			kW	HP											
DIVERTRON 1000 M	1x230 V~	900	0,65	0,88	3,8	150	30	450	1"	230	190	500	0,02	40	11
DIVERTRON X 1000 M	1x230 V~	900	0,65	0,88	3,8	150	30	450	1"	230	190	500	0,02	40	11
DIVERTRON 1200 M	1x230 V~	1100	0,75	1	4,8	150	30	480	1"	230	190	500	0,02	40	11
DIVERTRON X 1200 M	1x230 V~	1100	0,75	1	4,8	150	30	480	1"	230	190	500	0,02	40	11



The performance curves are based on kinematic viscosity values = 1 mm²/s and density equivalent to 1000 kg/m³. Curve tolerance according to ISO 9906.