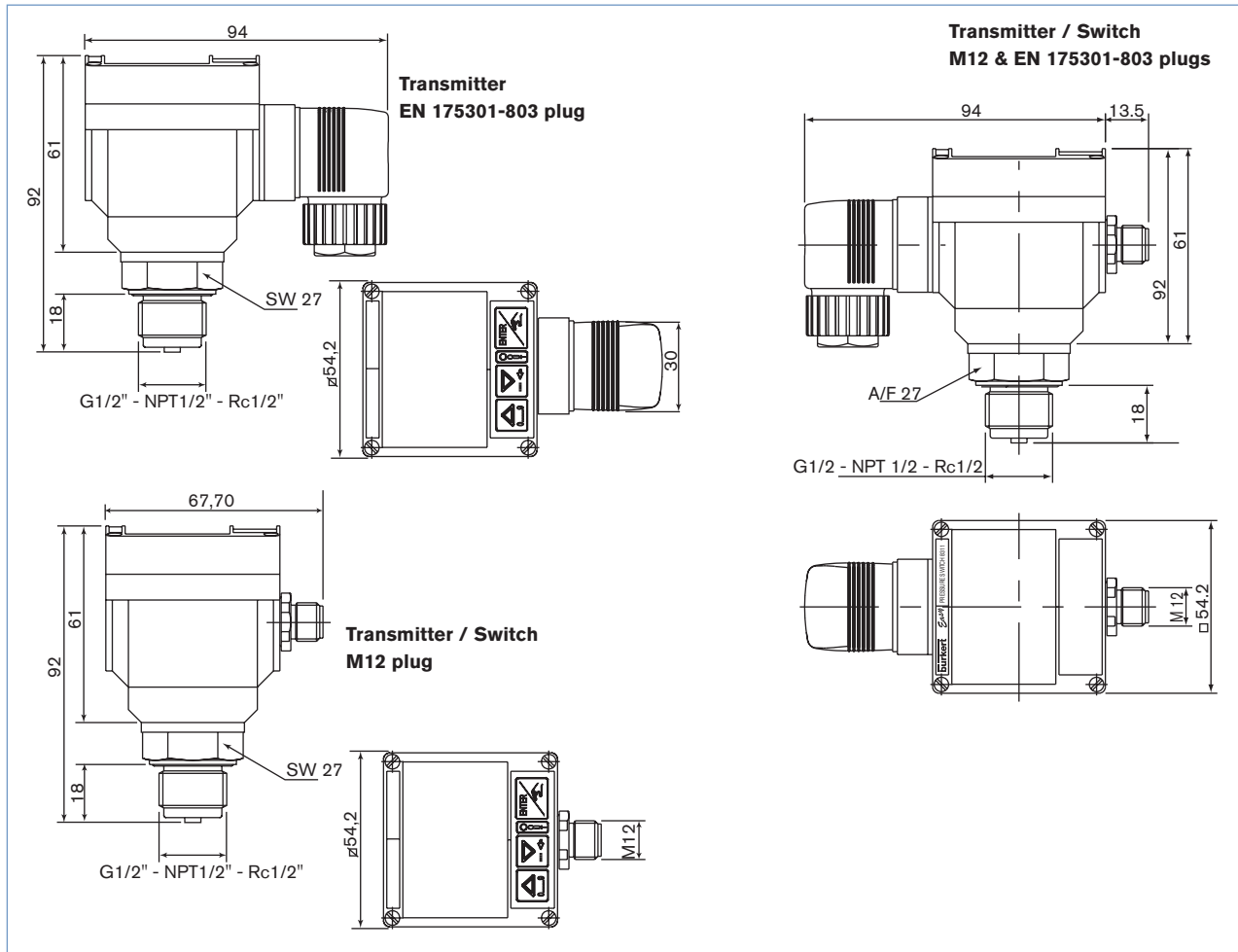


Dimensions



Ordering chart for Type 8311 (other versions on request)

Transmitter version

Nominal pressure range [PSI]	Pressure max. [PSI]	Burst pressure [PSI]	Power supply	Output signal	Electrical connection**	Item no. sensor connection G 1/2"	Item no. sensor connection NPT 1/2***	Item no. sensor connection Rc 1/2"
0 - 14.5	29	58	12 - 30 VDC	4-20 mA + 2 NPN or 2 PNP ¹⁾	M12 plug 5 pins	557 934	557 935	on request
				4-20 mA	Cable plug Type 2508*	550 350	557 937	on request
0 - 29	58	102	12 - 30 VDC	4-20 mA + 2 NPN or 2 PNP ¹⁾	M12 plug 5 pins	444 507	444 762	551 739
				4-20 mA	Cable plug Type 2508*	444 635	444 640	444 768
0 - 73	145	174	12 - 30 VDC	4-20 mA + 2 NPN or 2 PNP ¹⁾	M12 plug 5 pins	444 506	444 763	551 740
				4-20 mA	Cable plug Type 2508*	444 636	444 641	444 769
0 - 145	290	363	12 - 30 VDC	4-20 mA + 2 NPN or 2 PNP ¹⁾	M12 plug 5 pins	444 503	444 764	551 741
				4-20 mA	Cable plug Type 2508*	550 338	444 642	444 770
0 - 290	580	725	12 - 30 VDC	4-20 mA + 2 NPN or 2 PNP ¹⁾	M12 plug 5 pins	444 504	444 765	551 742
				4-20 mA	Cable plug Type 2508*	550 339	444 760	551 737
0 - 725	1450	1740	12 - 30 VDC	4-20 mA + 2 NPN or 2 PNP ¹⁾	M12 plug 5 pins	444 505	444 767	551 743
				4-20 mA	Cable plug Type 2508*	444 637	444 761	551 738

¹⁾ PNP standard, can be change in NPN with jumpers on electronic board

* Acc. EN175301-803 Europe / Asia (G / Rc) : with cable gland
USA / CDN (NPT) : with reduction NPT1/2

** Electrical plugs must be ordered separately (see page 4)