

Linear Polarization Resistance (LPR) Probe

Request A Quote

MODEL 6112



Features

- **Two-Electrode**
- **Mounting – Optional Adjustable Nylon Swage Fitting**
- **Temperature Rating - +300°F / +150° C**
- **Pressure Rating - 100 PSI / 690 KPa**
- **Electrode Seal Material – Epoxy**
- **Fill Material - Epoxy**
- **Body Material – Glass Epoxy**

This model is ideally suited for laboratory testing or light duty plant operations in a bypass rack where removal under system pressure is not required. For heavier duty plant operation see Model 7012 or 7022. This probe employs two replaceable identical electrodes which are mounted at the end of the probe by threaded, insulated studs. Two electrode probes are suitable for the majority of problems where LPR techniques are applicable. When monitored by "Solution Resistance Compensating"

instruments such as the Model 9030 Plus, LPR RDC, AquaMate™ and 9000 Plus, they may be used in low conductivity solutions. See Fig. 1 of the LPR Probe Selection Guide. LPR probes are used by major companies worldwide to measure corrosion in water floods, cooling water loops and other aqueous systems and to provide control of inhibitor addition for optimum economy and corrosion protection.

COSASCO®

Element Availability

UNS Number	Alloy	UNS Number	Alloy
K03005	Pipe Grade Carbon Steel	C11000	Copper 110 ETP
S30400	304 S.S.	C70610	Cu/Ni 90/10
S30403	304L S.S.	C44300	Ars. Ad. Brass CDA #443
S31600	316 S.S.	A91100	Aluminum 1100
S31603	316L S.S.	A92024	Aluminum 2024
N08020	Carpenter 20 Cb3	R50400	Titanium Gr2
N04400	Monel 400	060942	D.G.M.
C71500	Cu/Ni 70/30		
L50045	Common Lead		

Table 1

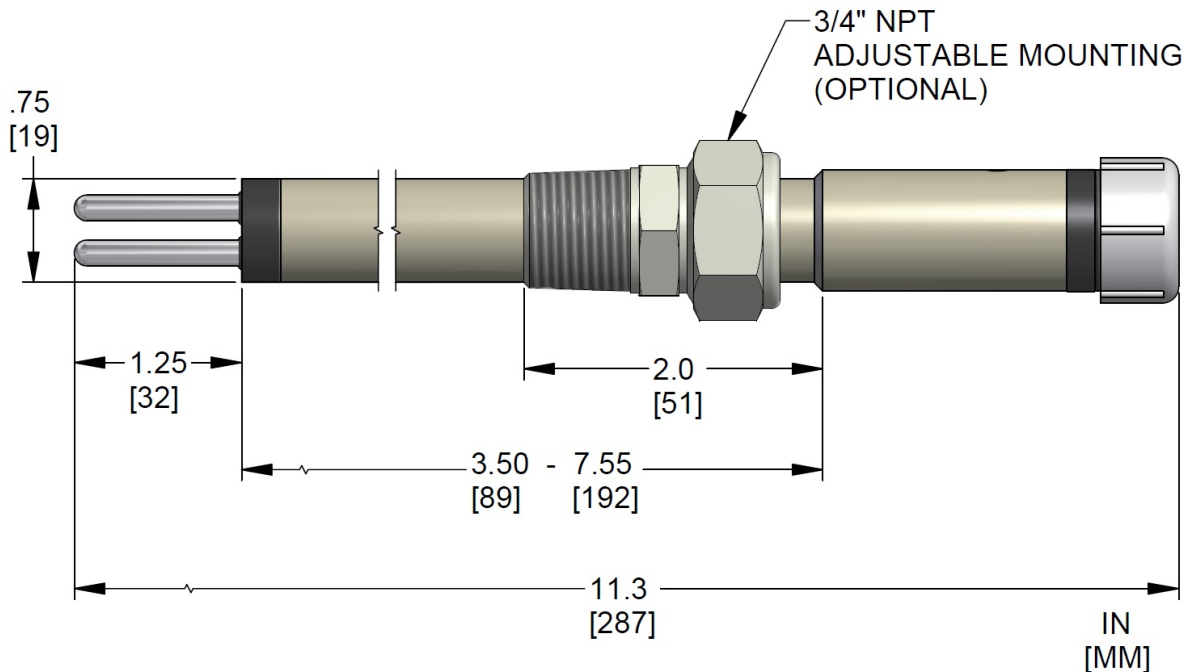
All elements are furnished "as machined" unless otherwise specified. Exceptions are Mild Steel which are vacuum annealed. Elements have a grid blasted finish.

LPR electrodes have been made of a great variety of materials and often, in the case of special alloy, from samples provided by the customer. To give correct results, electrodes must be made from defect-free stock which has been properly machined. Please contact your Rohrback Cosasco Systems representative if the alloy of interest to you is not shown in the Alloy Table.

Electrodes are also available as individual sets with part number 060814- XXXXXX, where XXXXXX is the UNS alloy number.

DGM electrodes are used with LPR instruments for the monitoring of low level dissolved oxygen (0-100 ppb).

Dimensions



Ordering Information

Model	Laboratory LPR Probe Assembly										
6112	Complete probe assembly without electrodes										
	Code	Order Length									
	0	Standard Length 7.55 inches/191.8 mm									
	1	Standard Length 3.5 inches/89 mm									
	Code	Electrode Element Alloy: See Table 1									
	XXXXXX	Enter UNS Number: Enter 0 if not required									
	Code	Mounting Adaptor									
	0	None Furnished									
	1	With 3/4" NPT adjustable nylon tube fitting									
<table border="1"> <tr> <td>6112</td> <td>—</td> <td>0</td> <td>—</td> <td>K03005</td> <td>—</td> <td>0</td> <td>←</td> <td>Example</td> </tr> </table>			6112	—	0	—	K03005	—	0	←	Example
6112	—	0	—	K03005	—	0	←	Example			

Accessories: P/N 010748 – 3/4" NPT Adjustable Nylon Fitting

Note: Electrodes are packaged separately to avoid damage to the surface.

Unit Weight: Probe assembly 1 lb./ .45 kg

Cosasco
 11841 Smith Avenue
 Santa Fe Springs, CA 90670, USA
 Tel: 1-562-949-0123
 Email: sales@cosasco.com
 Web Site: www.cosasco.com

©Rohrbach Cosasco Systems, Inc. All rights reserved

The contents of this publication are presented for information purposes only, and while effort has been made to ensure their accuracy, they are not to be construed as warranties or guarantees, express or implied, regarding the products or services described herein or their use or applicability. We reserve the right to modify or improve the designs or specifications of our products at any time without notice.

