

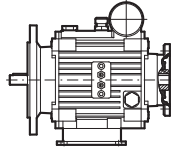
## K2 71B5-71B14

### Variator size K2 Variatore tipo K2

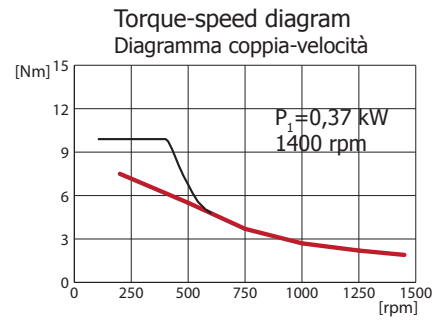
|               |       |        |
|---------------|-------|--------|
| Input/Entrata | 71 B5 | 71 B14 |
| Output/Uscita | 71 B5 | -      |

Oil q.ty/Q.tà olio: 0,5 lt. for B3 (other positions: 0,7 lt)

| Weight/Peso                   | Kg   | lbs  |
|-------------------------------|------|------|
| Without motor/Senza motore    | 9.4  | 20.7 |
| With motor/Con motore 0.37 kW | 15.6 | 34.4 |



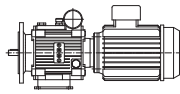
For dimensions, see pag.18/Per le dimensioni, vedi pag.18



— Torque available for continuous duty  
Coppia nominale per funzionamento continuo

— Starting torque for very intermittent use, as motor is loaded with 200% Ampere. Warning: not to burn the motor.  
Coppia di spunto per uso intermittente, il motore assorbe il 200% degli Ampere. Attenzione a non bruciare il motore.

### Moto-variator Moto-variatore



| Speed range | $P_1$ | $n_1$ | $M_2$ | $M_{st}$ | $n_{2min}$ | $P_2$ | Atex Category | Input Flange Flangia ingr. |        |       | Output flange Flangia uscita |       |           | Weight/Peso | Dimens. |
|-------------|-------|-------|-------|----------|------------|-------|---------------|----------------------------|--------|-------|------------------------------|-------|-----------|-------------|---------|
|             |       |       |       |          |            |       |               | 71 B5                      | 71 B14 | 71 B5 | 80B5                         | 80B14 | kg/lbs    |             |         |
| [rpm]       | [kW]  | [rpm] | [Nm]  | [Nm]     | [rpm]      | [kW]  |               |                            |        |       |                              |       |           |             |         |
| 0-1430      | 0.37  | 1400  | 1.9   | 10       | 60         | 0.27  | 2/3           | √                          | √      | √     | √                            | √     | 15.6/34.4 | 18          |         |
| 0-1430      | 0.55  | 1400  | 2.8   | 10       | 60         | 0.40  |               | √                          | √      | √     | √                            | √     | 16.7/36.8 |             |         |
| 0-900       | 0.25  | 900   | 1.9   | 10       | 60         | 0.18  |               | √                          | √      | √     | √                            | √     | 15.9/35.0 |             |         |
| 0-900       | 0.37  | 900   | 2.9   | 10       | 60         | 0.27  |               | √                          | √      | √     | √                            | √     | 16.6/36.6 |             |         |

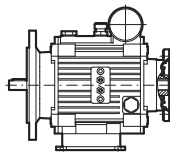
## K2 80B5-80B14

### Variator size K2 Variatore tipo K2

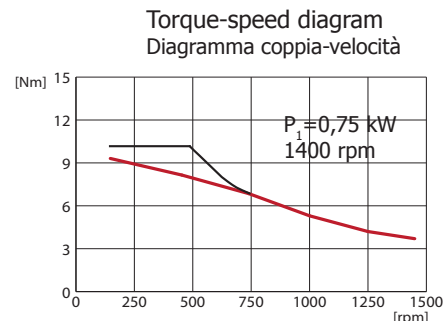
|               |       |        |
|---------------|-------|--------|
| Input/Entrata | 80 B5 | 80 B14 |
| Output/Uscita | 80 B5 | 80 B14 |

Oil q.ty/Q.tà olio: 0,5 lt. for B3 (other positions: 0,7 lt)

| Weight/Peso                   | Kg | lbs |
|-------------------------------|----|-----|
| Without motor/Senza motore    | 10 | 22  |
| With motor/Con motore 0.75 kW | 21 | 46  |



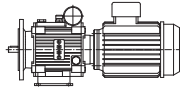
For dimensions, see pag.20/Per le dimensioni, vedi pag.20



— Torque available for continuous duty  
Coppia nominale per funzionamento continuo

— Starting torque for very intermittent use, as motor is loaded with 200% Ampere. Warning not to burn the motor.  
Coppia di spunto per uso intermittente, il motore assorbe il 200% degli Ampere. Attenzione a non bruciare il motore.

### Moto-variator Moto-variatore



| Speed range | $P_1$ | $n_1$ | $M_2$ | $M_{st}$ | $n_{2min}$ | $P_2$ | Atex Category | Input Flange Flangia ingr. |       | Output flange Flangia uscita |       |        | Weight/Peso | Dimens. |
|-------------|-------|-------|-------|----------|------------|-------|---------------|----------------------------|-------|------------------------------|-------|--------|-------------|---------|
|             |       |       |       |          |            |       |               | 80B5                       | 80B14 | 71B5                         | 80 B5 | 80 B14 |             |         |
| [rpm]       | [kW]  | [rpm] | [Nm]  | [Nm]     | [rpm]      | [kW]  |               |                            |       |                              |       |        |             |         |
| 0-1430      | 0.55  | 1400  | 2.8   | 10       | 60         | 0.40  | 2/3           | √                          | √     | √                            | √     | √      | 19.0/41.9   | 20      |
| 0-1430      | 0.75  | 1400  | 3.7   | 10       | 60         | 0.55  |               | √                          | √     | √                            | √     | √      | 21.0/46.3   |         |
| 0-900       | 0.37  | 900   | 2.9   | 10       | 60         | 0.27  |               | √                          | √     | √                            | √     | √      | 17.2/37.9   |         |
| 0-900       | 0.55  | 900   | 4.1   | 10       | 60         | 0.40  |               | √                          | √     | √                            | √     | √      | 19.9/43.9   |         |

$P_1$  = motor power/potenza motore;  $n_1$  = motor speed/velocità motore;

$M_2$  = variator output torque at max speed/coppia uscita variatore alla max velocità

$M_{st}$  = variator output starting torque/coppia spunto uscita variatore;  $n_{2min}$  = minimum speed with stable torque/velocità minima con coppia stabile;

$P_2$  = variator output power/potenza uscita variatore.

Variator: **K2**  
Input: **80 B5 or 80 B14**

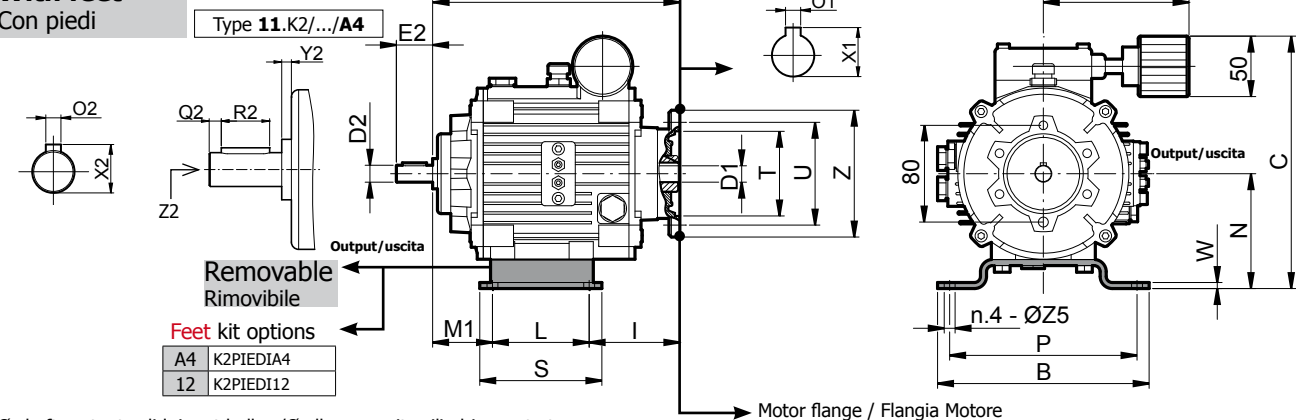
Oil q.ty/Q.tà olio: 0,5 lt. for B3  
(other positions: 0,7 lt)

Weight 10 kg  
Peso 22 lbs

**With feet**  
Con piedi

**Input flange/flange entrata**

| Type   | Kit code      |
|--------|---------------|
| 80 B5  | K2KITENT80B5  |
| 80 B14 | K2KITENT80B14 |



Removable  
Rimovibile

Feet kit options

|    |           |
|----|-----------|
| A4 | K2PIEDIA4 |
| 12 | K2PIEDI12 |

Ø shaft: output solid, input hollow / Ø albero: uscita cilindrico, entrata cavo

| Output/Uscita | D2     | E2 | O2 | X2   | Q2 | R2 | Y2 | Z2    |
|---------------|--------|----|----|------|----|----|----|-------|
| Standard      | Ø19 j6 | 40 | 6  | 21.5 | 4  | 30 | 4  | M6x16 |
| On request    | Ø14 j6 | 30 | 5  | 16   | 5  | 20 | 4  | M5x10 |
| On request    | Ø22 j6 | 40 | 6  | 24.5 | 4  | 30 | 4  | M6x16 |
| Input/Entrata | D1     | -  | O1 | X1   | -  | -  | -  | -     |
| Standard      | Ø19 F7 | -  | 6  | 21.8 | -  | -  | -  | -     |
| On request    | Ø14 F7 | -  | 5  | 16.3 | -  | -  | -  | -     |

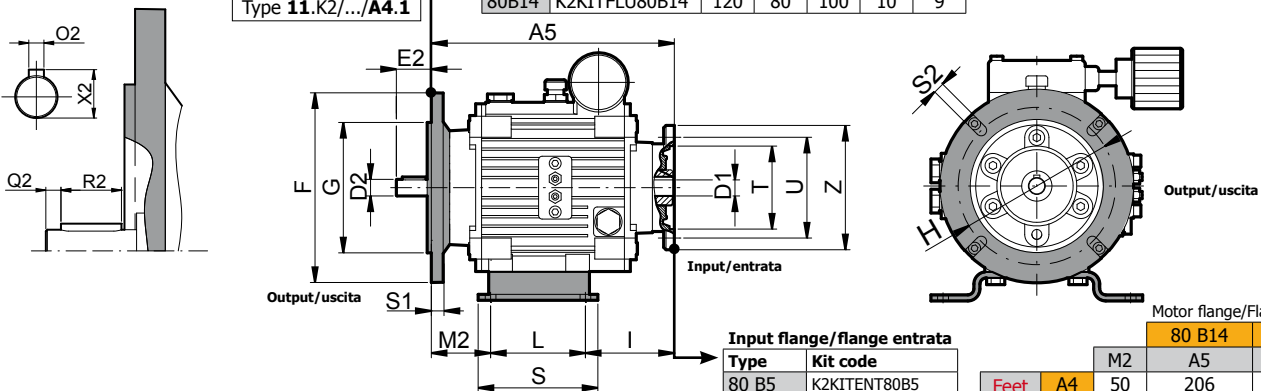
Motor flange / Flangia Motore

|       |    | 80 B14 |       |     |     |     | 80 B5 |     |     |     |     |
|-------|----|--------|-------|-----|-----|-----|-------|-----|-----|-----|-----|
|       |    | A      | I     | T   | U   | Z   | A     | I   | T   | U   | Z   |
| Feet  | A4 | 207    | 76    | 80  | 100 | 120 | 207   | 77  | 130 | 165 | 200 |
| Piedi | 12 | 207    | 44    | 80  | 100 | 120 | 207   | 45  | 130 | 165 | 200 |
|       |    | B      | C     | L   | M1  | N   | P     | S   | W   | ØZ5 |     |
| Feet  | A4 | 192    | 215.8 | 80  | 50  | 102 | 170   | 111 | 13  | 9   |     |
| Piedi | 12 | 187    | 223.8 | 100 | 62  | 110 | 165   | 132 | 13  | 9   |     |

**With output flange and feet**  
Con flangia uscita e piedi

Output flanges/Flange uscita

| Type  | Kit code      | F   | G   | H   | S1 | S2 |
|-------|---------------|-----|-----|-----|----|----|
| 71B5  | K2KITFLU71B5  | 160 | 110 | 130 | 10 | 9  |
| 80B5  | K2KITFLU80B5  | 200 | 130 | 165 | 10 | 11 |
| 80B14 | K2KITFLU80B14 | 120 | 80  | 100 | 10 | 9  |



**Input flange/flange entrata**

| Type   | Kit code      |
|--------|---------------|
| 80 B5  | K2KITENT80B5  |
| 80 B14 | K2KITENT80B14 |

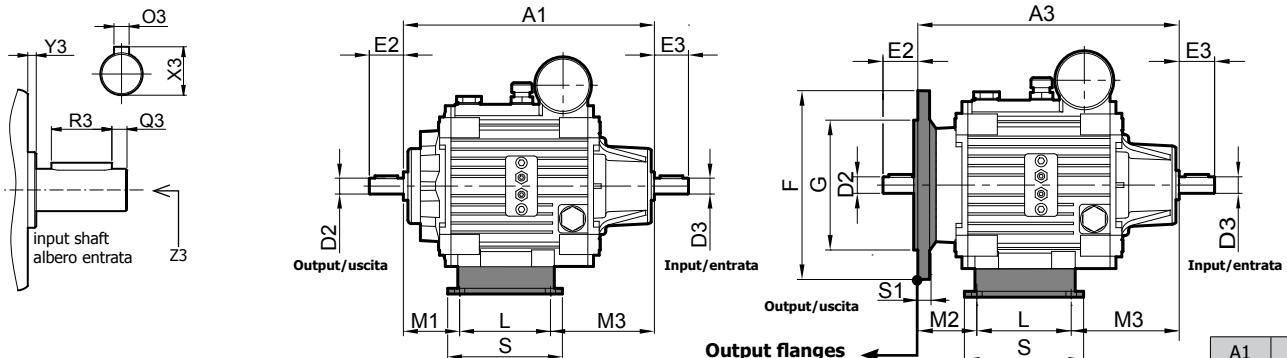
|       |    | 80 B14 |     | 80 B5 |     |
|-------|----|--------|-----|-------|-----|
|       |    | M2     | A5  | A5    | A5  |
| Feet  | A4 | 50     | 206 | 207   | 207 |
| Piedi | 12 | 62     | 206 | 207   | 207 |

**Solid input shaft**  
Albero maschio ingresso

Type 10.K2/.../A4

Type 10.K2/.../A4.1

**Output Flange**  
Flangia Uscita



Ø solid input shaft / Ø albero ingresso maschio

| Input/Entrata | D3     | E3 | O3 | X3   | Q3 | R3 | Y3  | Z3    |
|---------------|--------|----|----|------|----|----|-----|-------|
| Standard      | Ø19 j6 | 40 | 6  | 21.5 | 4  | 30 | 2.8 | M6x16 |
| On request    | Ø14 j6 | 30 | 5  | 16   | 5  | 20 | 2.8 | M5x10 |
| On request    | Ø22 j6 | 40 | 6  | 24.5 | 4  | 30 | 2.8 | M6x16 |

**Output flanges**  
Flange uscita

| Type  | Kit code      |
|-------|---------------|
| 71B5  | K2KITFLU71B5  |
| 80B5  | K2KITFLU80B5  |
| 80B14 | K2KITFLU80B14 |

|       |    | A1    | A3    |      |
|-------|----|-------|-------|------|
|       |    | 221.5 | 221.5 |      |
|       |    | M1    | M2    | M3   |
| Feet  | A4 | 50    | 50    | 91.5 |
| Piedi | 12 | 62    | 62    | 59.5 |

# 0.75 kW

## DIMENSIONI / DIMENSIONS

# K2 80B5-80B14

### Without feet

Senza piedi

Type 51.K2/.../...1

### With Output Flange

Con Flangia Uscita

#### Output flanges/Flange uscita

| Type  | Kit code      |
|-------|---------------|
| 71B5  | K2KITFLU71B5  |
| 80B5  | K2KITFLU80B5  |
| 80B14 | K2KITFLU80B14 |

For dimensions, see page 20  
Per dimensioni, vedi pag.20

#### Input flange/Flangia entrata

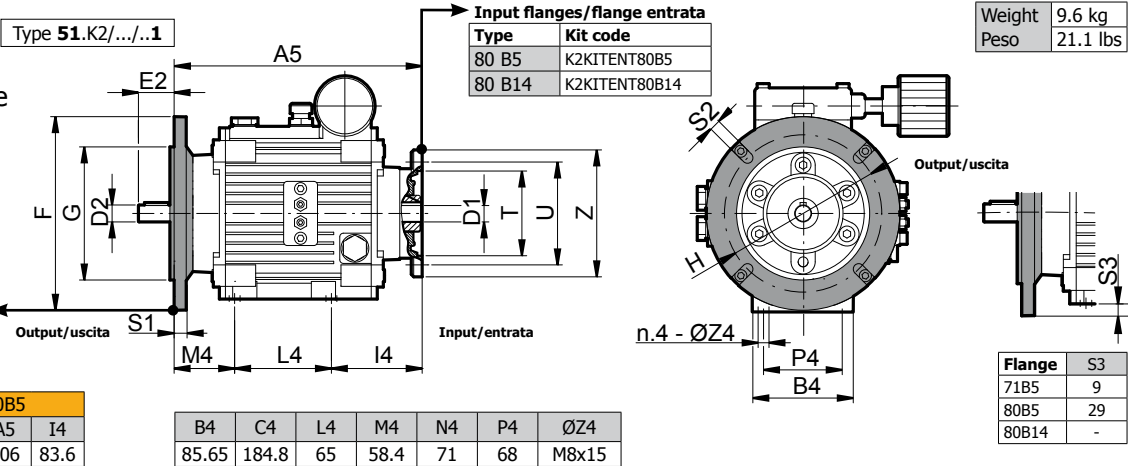
| 80B14 |     | 80B5 |     |
|-------|-----|------|-----|
| A     | A5  | I4   | I4  |
| 206   | 206 | 82.6 | 207 |

| B4    | C4    | L4 | M4   | N4 | P4 | ØZ4   |
|-------|-------|----|------|----|----|-------|
| 85.65 | 184.8 | 65 | 58.4 | 71 | 68 | M8x15 |

#### Input flanges/flange entrata

| Type   | Kit code      |
|--------|---------------|
| 80 B5  | K2KITENT80B5  |
| 80 B14 | K2KITENT80B14 |

Weight 9.6 kg  
Peso 21.1 lbs



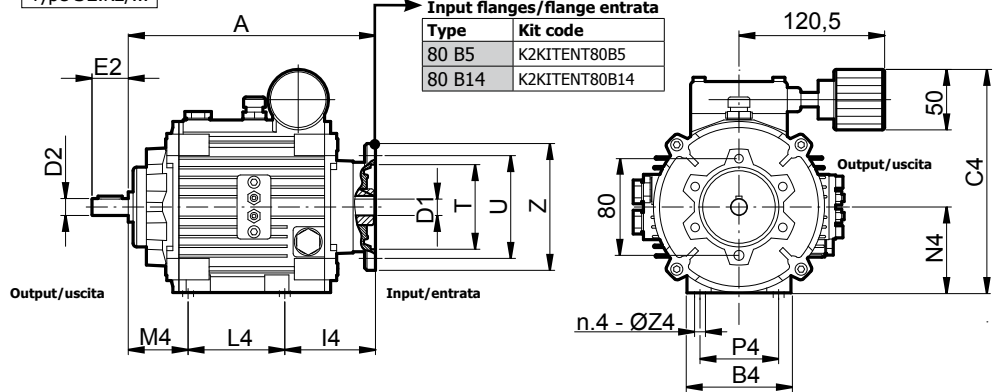
| Flange | S3 |
|--------|----|
| 71B5   | 9  |
| 80B5   | 29 |
| 80B14  | -  |

### Without Output Flange, without feet

Senza Flangia Uscita, senza piedi

For the not indicated dimensions, see the previous page  
Per le quote non indicate, vedere la pagina precedente

Type 51.K2/...



### With 0.75 kW motor 4p

Con motore 0.75 kW 4p

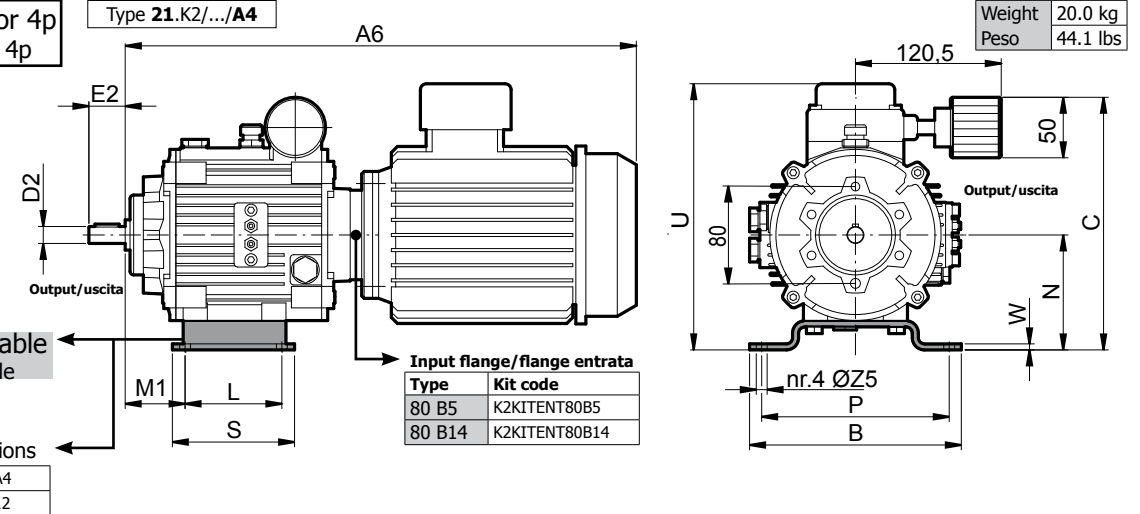
Type 21.K2/.../A4

Removable Rimovibile

#### Feet kit options

|    |           |
|----|-----------|
| A4 | K2PIEDIA4 |
| 12 | K2PIEDI12 |

Weight 20.0 kg  
Peso 44.1 lbs



| A6  | A7  |
|-----|-----|
| 444 | 444 |

| Feet  | A4 | U   |
|-------|----|-----|
| Piedi | 12 | 241 |

### With Output Flange

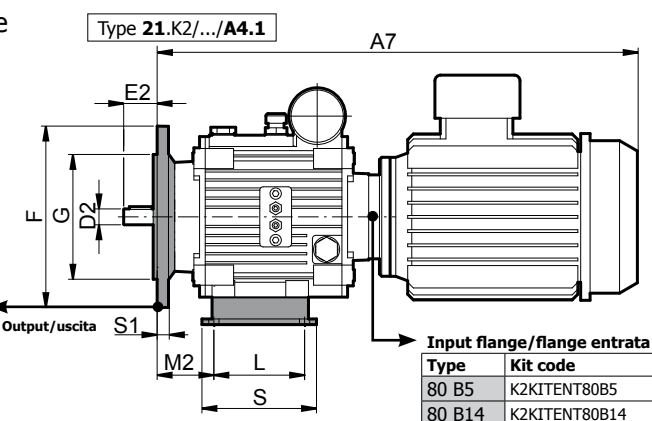
Con Flangia Uscita

Type 21.K2/.../A4.1

#### Output flanges/Flange uscita

| Type  | Kit code      |
|-------|---------------|
| 71B5  | K2KITFLU71B5  |
| 80B5  | K2KITFLU80B5  |
| 80B14 | K2KITFLU80B14 |

For dimensions, see page 20  
Per dimensioni, vedi pag.20



| Type   | Kit code      |
|--------|---------------|
| 80 B5  | K2KITENT80B5  |
| 80 B14 | K2KITENT80B14 |